



# **560 MANURE SPREADER**

# **PARTS BOOK**



Revision #05  
560 Starting Serial #210086

HSMFG0312

Part #66904

**Manufactured By**  
**H&S MANUFACTURING CO., INC.**

**P.O. BOX 768 (715) 387-3414 FAX (715) 384-5463**  
**MARSHFIELD, WISCONSIN 54449**

# CONTENTS

Instructions for Ordering Parts .....	1
Figure 1 - Tandem Axles .....	2-3
Figure 2 - Optional Tandem Axles .....	4-5
Figure 3 - Front Gate .....	6-7
Figure 4 - Front Shield .....	8-9
Figure 5 - Right Side Flare .....	10-11
Figure 6 - Left Side Flare .....	12-13
Figure 7 - Rear Shields .....	14-15
Figure 8 - Beater Drive Train .....	16-19
Figure 9 - Beater Drive .....	20-21
Figure 10 - Top Beater .....	22-23
Figure 11 - Bottom Beater .....	24-25
Figure 12 - End Gate .....	26-27
Figure 13 - Hydraulics .....	28-31
Figure 14 - Apron Gearbox .....	32-33
Figure 15 - Apron Chain .....	34-35
Figure 16 - Electric Control .....	36-37
Figure 17 - Hydraulic Cylinder .....	38-39
Figure 18 - Optional Pan .....	40-41
Figure 19 - Bevel Gearbox .....	42-43
Figure 20 - Lights .....	44-45
Figure 21 - PTO .....	46
Figure 22 - PTO (Optional).....	47
Parts Notes .....	48-49

# **INSTRUCTIONS FOR ORDERING PARTS**

All service parts should be ordered through your authorized H&S dealer. He will be able to give you faster service if you will provide them with the following:

1. Model & Serial Number - Both can be located on the side of the center bearing post above jack mount.
2. All references to left or right apply to the machine as viewed from the rear.
3. Parts should not be ordered from illustration only. Please order complete part number.
4. If your dealer has to order parts - give shipping instructions:

VIA truck - large pieces (please specify local truck lines)

VIA United Parcel Service (include full address)

<b>H&amp;S MFG. CO. INC.</b>	
<b>MARSHFIELD, WIS.</b>	
<b>MOD. NO.</b>	<input type="text"/>
<b>SER. NO.</b>	<input type="text"/>
<b>DESCR.</b>	<input type="text"/>

PLEASE RECORD NUMBERS FOR YOUR UNIT FOR QUICK REFERENCE

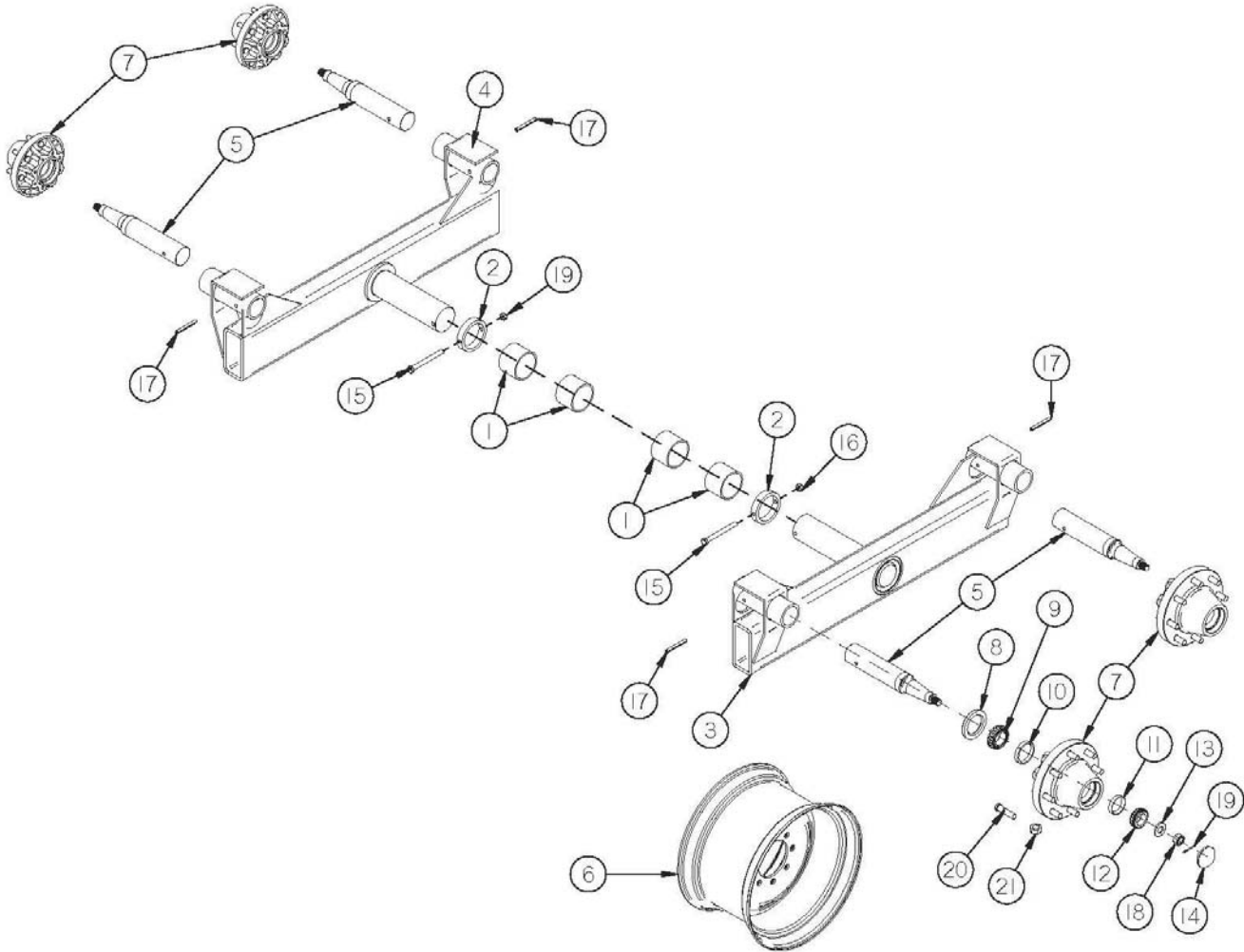
## **ABOUT IMPROVEMENTS**

H&S IS CONTINUALLY STRIVING TO IMPROVE IT'S PRODUCTS

We must therefore, reserve the right to make improvements or changes whenever it becomes practical to do so, without incurring any obligation to make changes or additions to the equipment previously sold.

# FIGURE 1

## TANDEM AXLES



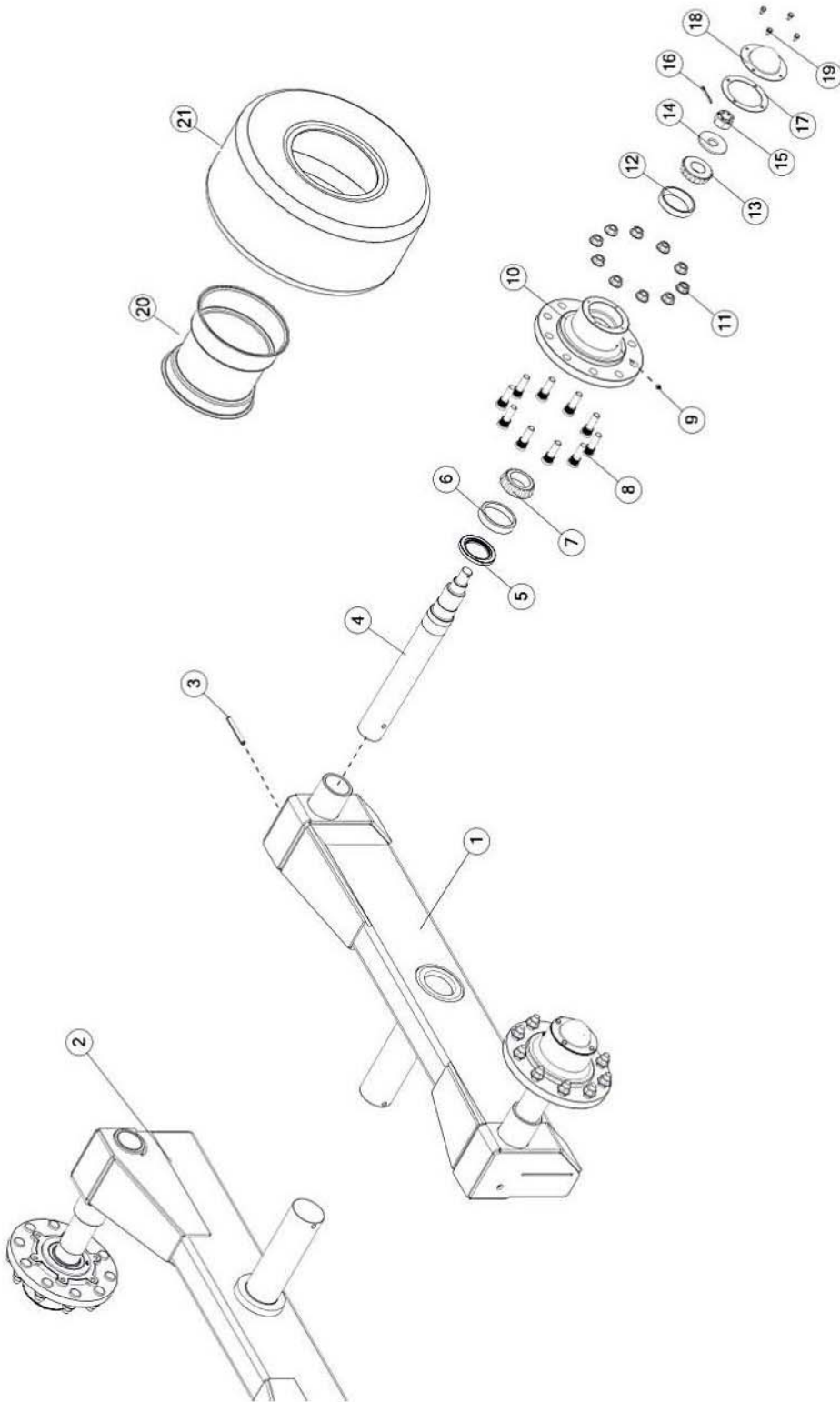
# FIGURE 1

## TANDEM AXLES

<u>ITEM</u>	<u>QTY</u>	<u>PART #</u>	<u>DESCRIPTION</u>
1	4	16SV75	BUSHING FOR TANDEM AXLE
2	2	16SV214	COLLAR FOR AXLE
3	1	56N157	TANDEM AXLE LEFT
4	1	56N158	TANDEM AXLE RIGHT
5	4	57186	SPINDLE
6	4	16SV89	WHEEL 13.5 X 22.5
*	4	16SV88	TIRE (425 X 22.5 TRUCK)
7	4	RG275	HUB (COMPLETE)
8	4	33SV42	SEAL
9	4	33SV43	INNER BEARING
10	4	33SV44	INNER RACE
11	4	17G149	OUTER RACE
12	4	17G150	OUTER BEARING
13	4	33SV95	WASHER
14	4	RG171	HUB CAP
15	2	YBHH16165	BOLT, 1/2 X 6 GR. 5
16	2	YNTL16005	HEX NUT, TOP LOCK, 1/2-13
17	4	YPEX16020	EXPANSION PIN, 1/2 X 4"
18	4	YNSL32005	HEX HUT, SLOTTED, 1"-14
19	4	YPCT07005	COTTER PIN, 7/32" X 2 "
20	32	YBSD20010	STUD BOLT, 5/8"-18 UNF X 2-1/2" (7/8" SHOULDER)
21	32	YNWL20005	WHEEL NUT, 5/8"-18 UNF

**NOTE: \* MEANS NOT SHOWN**

**FIGURE 2**  
**(OPTIONAL ) TANDEM AXLES**



## FIGURE 2

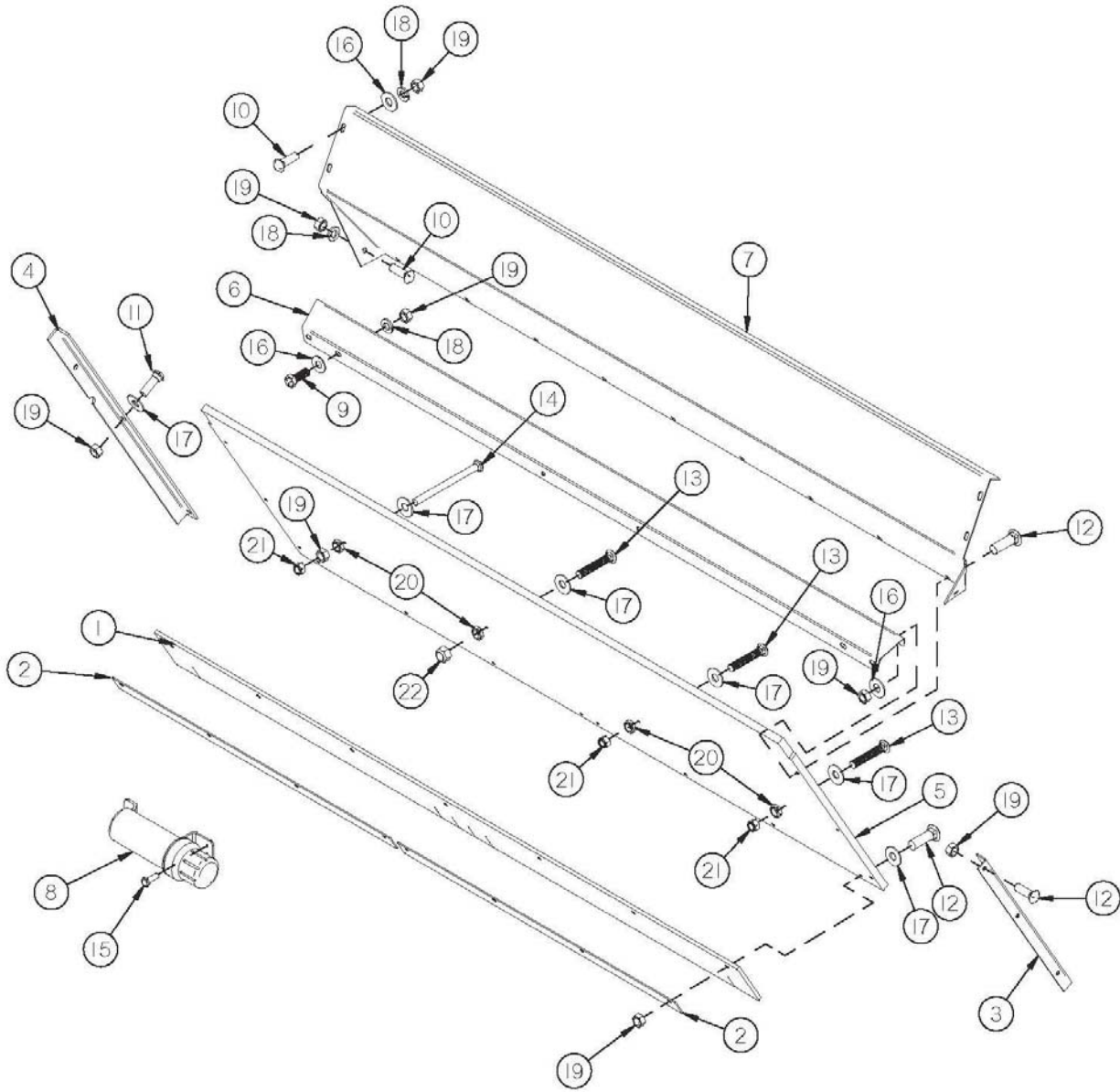
### (OPTIONAL) TANDEM AXLES

<u>ITEM</u>	<u>QTY</u>	<u>PART #</u>	<u>DESCRIPTION</u>
1	1	59595	TANDEM AXLE LEFT
2	1	59596	TANDEM AXLE RIGHT
3	4	YPEX16020	EXPANSION PIN, 1/2" X 4"
4	4	FBC31	TANDEM SPINDLE
5	4	60N5	SEAL—600 BUSHEL
6	4	60N6	INNER RACE—600 BUSHEL
7	4	60N7	INNER BEARING—600 BUSHEL
8	40	YBSD24010	STUD BOLT, 3/4-16UNF X 2-3/4 (3/4 SHOULDER)
9	4	BFR28	1/8" NPT GREASE ZERK
10	4	60N8	871 CAST HUB W/RACES ONLY , 10 BOLT
11	40	60N14	HEX FLANGE NUT, 3/4-16 UNF-28, GR 8
12	4	60N10	OUTER RACE—600 BUSHEL
13	4	60N9	OUTER BEARING—600 BUSHEL
14	4	60N2	SPINDLE WASHER
15	4	YNCA36005	HEX NUT, CASTLE, 1-1/4"-12
16	4	YPCT07005	COTTER PIN, 7/32 X 2
17	4	56234	HUB CAP GASKET
18	4	60N11	HUB CAP—600 BUSHEL
19	16	YBHH10020	BOLT, 5/16 X 1/2 GR 5
20	4	66777	WHEEL 22.5 X 20
21	4	FBC36	600/50-22.5 TIRE
*	4	59918	TIRE, 600/50R22.5, ON 22.5X20, 10 BOLT

**\*MEANS NOT SHOWN**

# FIGURE 3

## FRONT GATE





## FIGURE 3

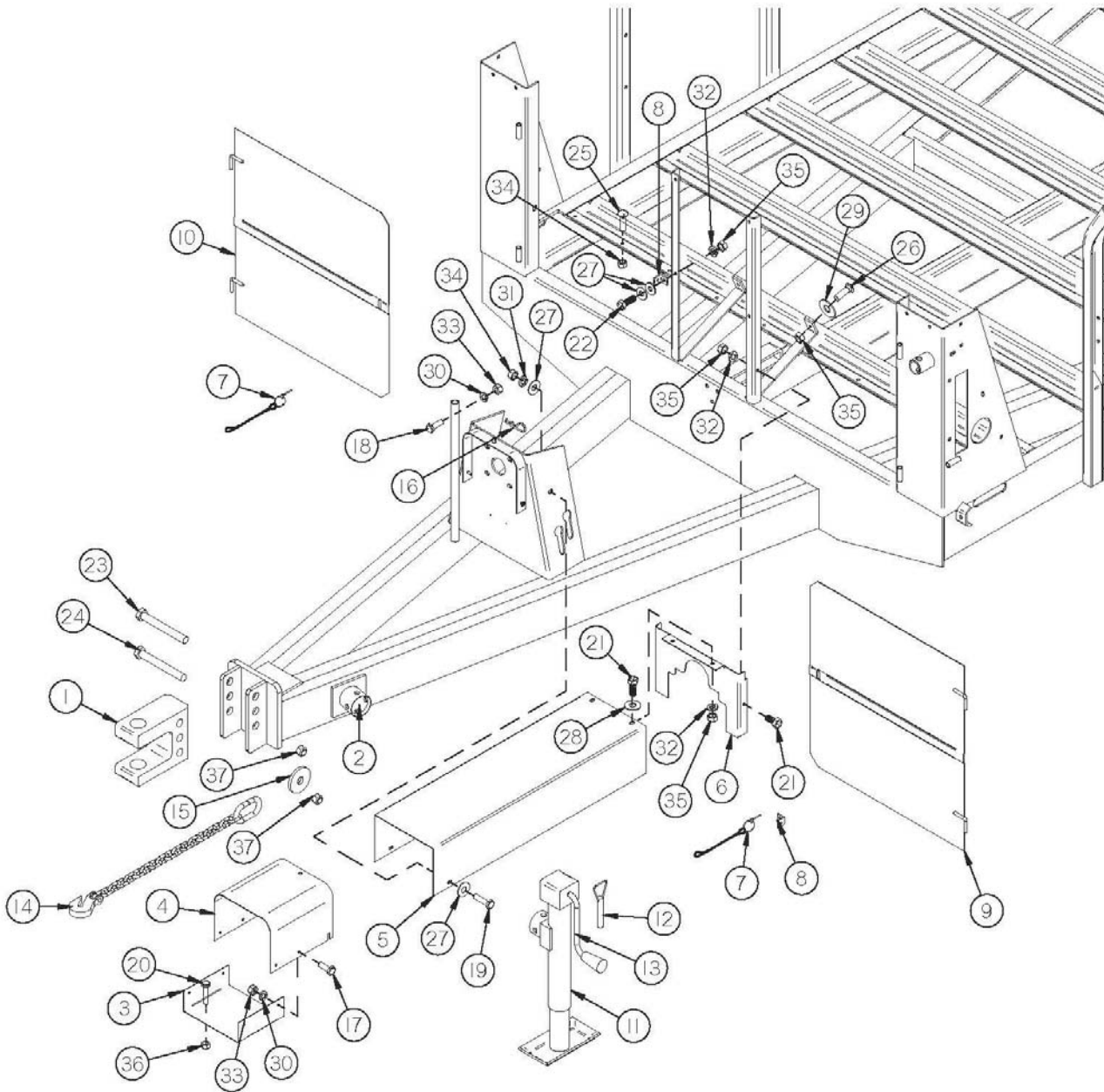
### FRONT GATE

<u>ITEM</u>	<u>QTY</u>	<u>PART #</u>	<u>DESCRIPTION</u>
1	1	56N16	FRONT RUBBER
2	1	50N51	FRONT PANEL STRAP
3	1	56N17	PLYWOOD ANGLE LEFT
4	1	56N18	PLYWOOD ANGLE RIGHT
5	1	56N19	FRONT GATE
*	1	56N135	FIBERGLASS REINFORCED PLYWOOD LEFT
*	1	56N136	FIBERGLASS REINFORCED PLYWOOD RIGHT
*	1	56N137	POLY FLOOR
6	1	56N20	FRONT END BRACE
7	1	56N21	FRONT FLARE
8	1	S522	MANUAL HOLDER
9	6	YBHH12010	BOLT, 3/8" X 1" GR. 5
10	6	YBCR12065	CARR. BOLT, 3/8" X 3/4" GR. 5
11	6	YBCR12020	CARR. BOLT, 3/8" X 1-1/4" GR. 5
12	23	YBCR12015	CARR. BOLT, 3/8" X 1-1/2" GR. 5
13	3	YBCR12035	CARR. BOLT, 3/8" X 2" GR. 5
14	1	YBCR12080	CARR. BOLT, 3/8" X 3-1/4" GR. 5
15	3	YSDR08005	#14-14 X 1 HX WSHR TEK STL ZNC
16	19	YWFL12005	WASHER, FLAT, 3/8" USS
17	18	YWFL16005	WASHER, FLAT, 1/2" USS
18	12	YWLO12005	WASHER, LOCK, 3/8" USS
19	42	YNHX12005	HEX NUT, 3/8" - 16
20	4	YNJM12005	HEX NUT, JAM, 3/8" - 16
21	4	YNNY12005	HEX NUT, NYLON LOCKNUT, 3/8"
22	1	YNTL12005	HEX NUT, TOP LOCK, 3/8" - 16

**NOTE: \* MEANS NOT SHOWN**

# FIGURE 4

## FRONT SHIELDS



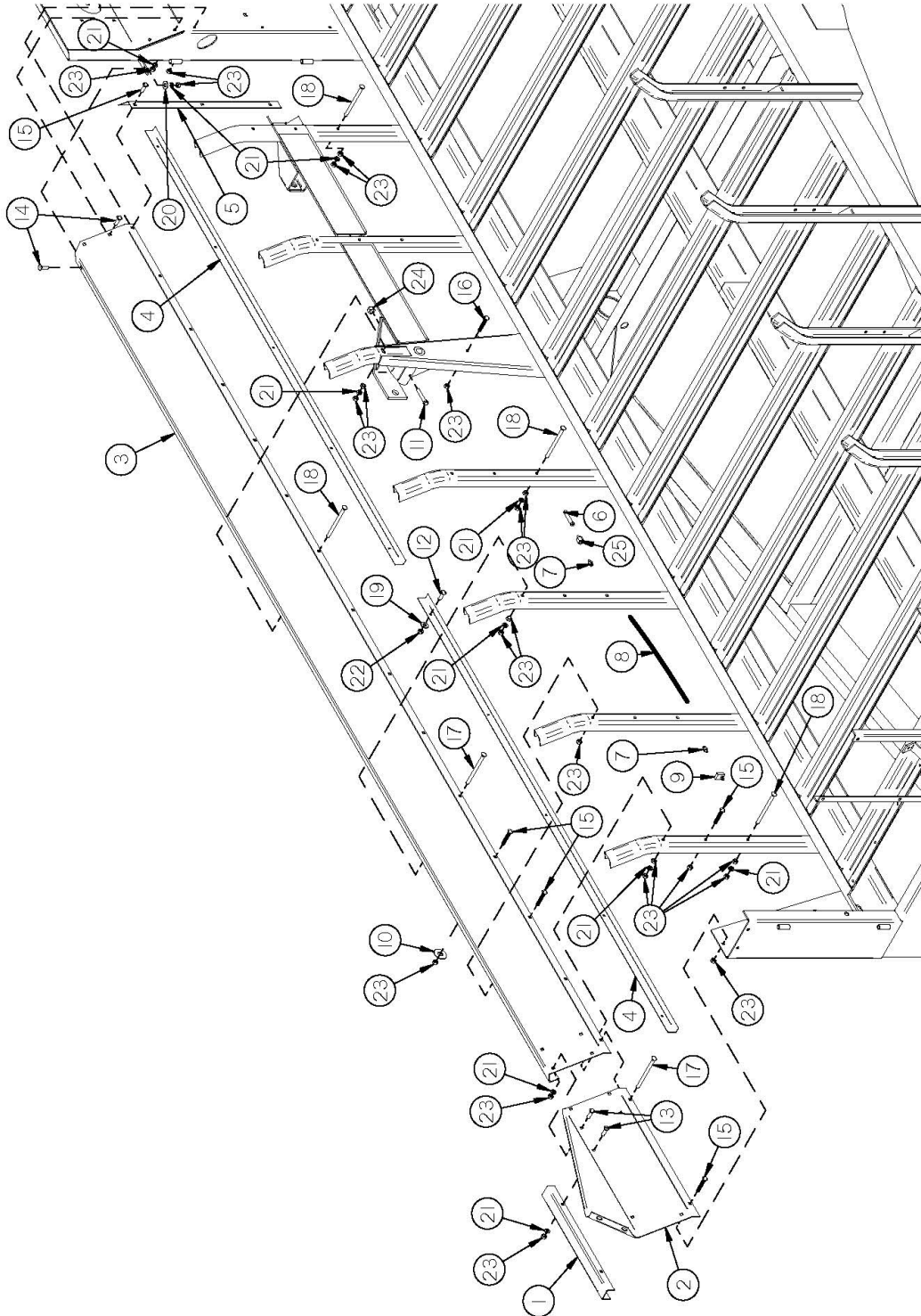
# FIGURE 4

## FRONT SHIELD

<u>ITEM</u>	<u>QTY</u>	<u>PART #</u>	<u>DESCRIPTION</u>
1	1	56N1	HITCH
*	1	56N189	HITCH - SMALL HOLE (OPTIONAL)
2	1	56N2	JACK MOUNT
3	1	16SV327	PTO SHIELD BOTTOM
4	1	16SV329	PTO SHIELD
5	1	56N3	JACK SHAFT SHIELD
6	1	56N4	INPUT SHIELD MOUNT
7	2	S122	CLIP PIN W/ LANYARD
8	2	56N146	SHIELD ANGLE
9	1	56N5	FRONT SHIELD LEFT
10	1	56N6	FRONT SHIELD RIGHT
11	1	TS306	JACK
12	1	56N8	JACK PIN & CHAIN
13	1	56N9	JACK HANDLE
14	1	WM367	SAFETY CHAIN (OPTIONAL)
15	1	56N179	SAFETY CHAIN SPACER
16	1	YPHR02005	HAIR PIN (X97)
17	4	YBHH08015	BOLT, 1/4" X 1/2" GR. 5
18	2	YBHH08100	BOLT, 1/4" X 3/4" GR. 5
19	2	YBHH10010	BOLT, 5/16" X 1" GR. 5
20	4	YBHH10030	BOLT, 5/16" X 1-1/2" GR. 5
21	4	YBHH12135	BOLT, 3/8" X 3/4" GR. 5
22	2	YBHH12010	BOLT, 3/8" X 1" GR. 5
23	1	YBHH32027	BOLT, 1" X 6-1/2" GR. 5
24	1	YBHH32033	BOLT, 1" X 7-1/2" GR. 5
25	10	YBCR10010	CARR. BOLT, 5/16" X 1" GR. 5
26	2	YBCR12015	CARR. BOLT, 3/8" X 1-1/2" GR. 5
27	8	YWFL10005	WASHER, FLAT, 5/16" USS
28	2	YWFL12005	WASHER, FLAT, 3/8" USS
29	2	YWFL16005	WASHER, FLAT, 1/2" USS
30	6	YWLO08005	WASHER, LOCK, 1/4"
31	2	YWLO10005	WASHER, LOCK, 5/16"
32	6	YWLO12005	WASHER, LOCK, 3/8" USS
33	6	YNHX08005	HEX NUT, 1/4"
34	12	YNHX10005	HEX NUT, 5/16"
35	8	YNHX12005	HEX NUT, 3/8" - 16
36	4	YNL10005	HEX NUT, TOP LOCK, 5/16" - 18
37	2	YNL32005	HEX NUT, TOP LOCK, 1" - 8

**NOTE: \* MEANS NOT SHOWN**

**FIGURE 5**  
**RIGHT SIDE FLARE**

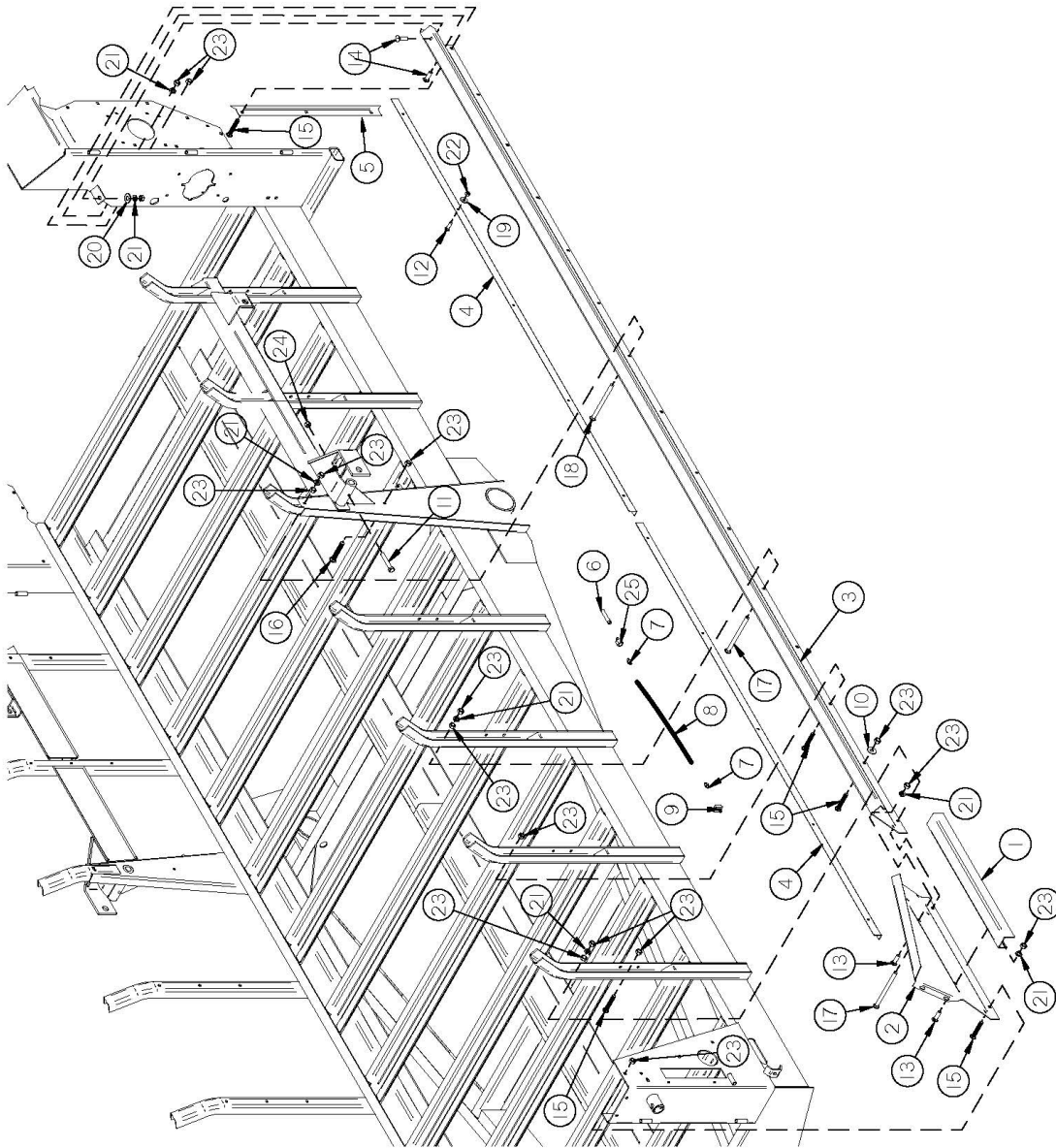


# FIGURE 5

## RIGHT SIDE FLARE

<u>ITEM</u>	<u>QTY</u>	<u>PART #</u>	<u>DESCRIPTION</u>
1	1	56N10	FLARE EXTENSION
2	1	56N12	SIDE FLARE EXTENSION RIGHT
3	1	56N14	SIDE FLARE RIGHT
4	2	56N15	GALVANIZED ANGLE
5	1	56N29	SIDE POLY HOLDER RIGHT
6	1	66077	NIPPLE, 1/8" MALE PIPE X 2-1/2"
7	2	S47	GREASE FITTING
8	1	56N138	GREASE LINE
9	1	16V9	GREASE BRACKET
10	7	YWCU12005	WASHER, CUSTOM, FLAT, .435" ID. X 1-7/8" OD. X .125 THICK,
11	1	YBHH12105	BOLT, 3/8" X 2-1/4" GR. 5 FULL THREAD
12	9	YBCR08005	CARR. BOLT, 1/4" X 1"
13	6	YBCR12065	CARR. BOLT, 3/8" X 3/4" GR. 5
14	3	YBCR12010	CARR. BOLT, 3/8" X 1" GR. 5
15	22	YBCR12015	CARR. BOLT, 3/8" X 1-1/2" GR. 5
16	1	YBCR12080	CARR. BOLT, 3/8" X 3-1/4" GR. 5
17	2	YBCR12095	CARR. BOLT, 3/8" X 4" GR. 5
18	4	YBCR12105	CARR. BOLT, 3/8" X 4-1/2" GR. 5 FULL THREAD
19	10	YWFL08005	WASHER, FLAT, 1/4" USS
20	1	YWFL12005	WASHER, FLAT, 3/8" USS
21	15	YWLO12005	WASHER, LOCK, 3/8" USS
22	10	YNHX08005	HEX NUT, 1/4"
23	44	YNHX12005	HEX NUT, 3/8"- 16
24	1	YNTL12005	HEX NUT, TOP LOCK, 3/8"- 16
25	1	66079	HEX ADAPTER, 1/4" FEMALE & 1/8" FEMALE PIPE

**FIGURE 6**  
**LEFT SIDE FLARE**



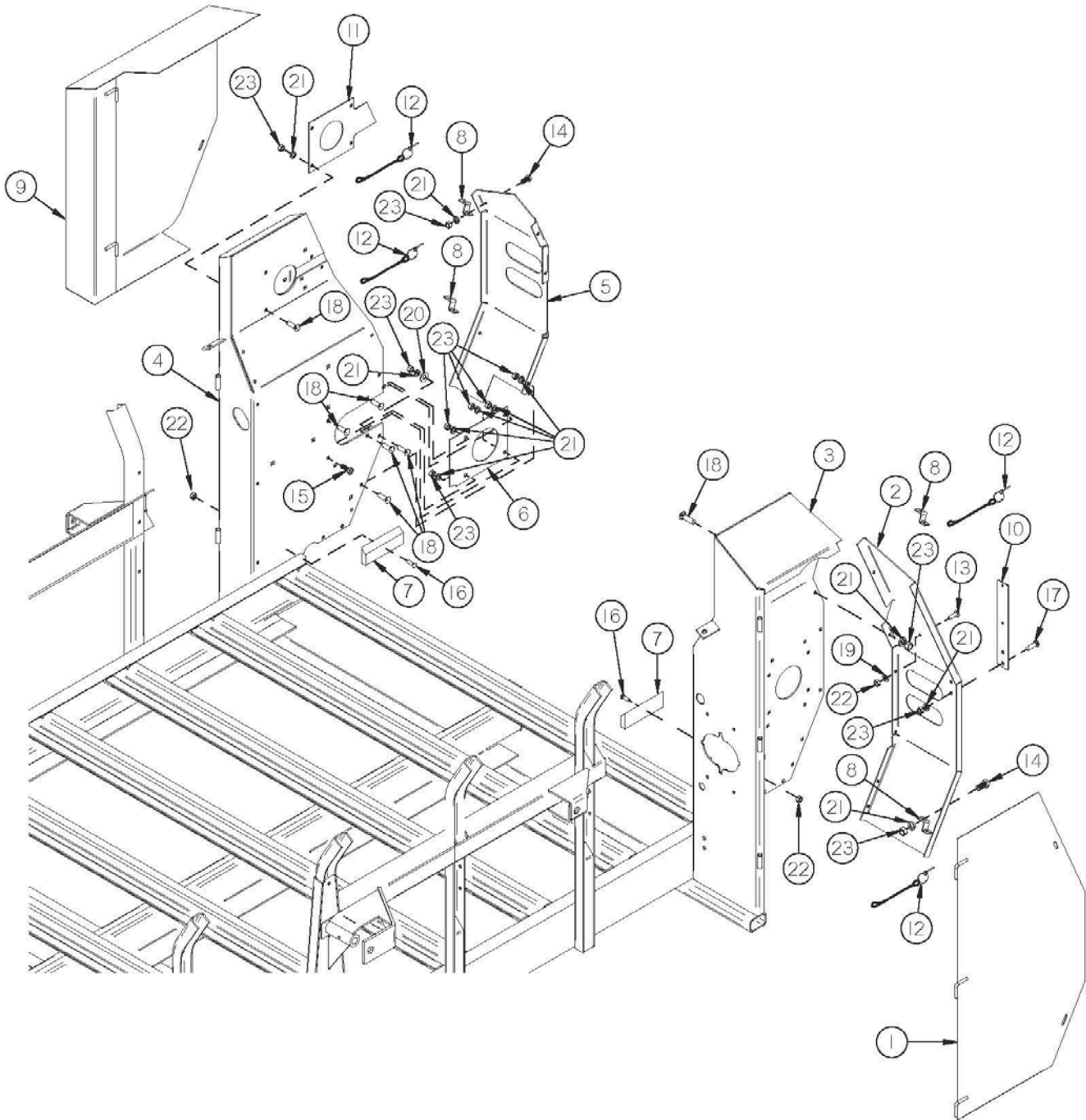
## FIGURE 6

### LEFT SIDE FLARE

<u>ITEM</u>	<u>QTY</u>	<u>PART #</u>	<u>DESCRIPTION</u>
1	1	56N10	FLARE EXTENSION
2	1	56N11	SIDE FLARE EXTENSION LEFT
3	1	56N13	SIDE FLARE LEFT
4	2	56N15	GALVANIZED ANGLE
5	1	56N28	SIDE POLY HOLDER LEFT
6	1	66077	NIPPLE, 1/8" MALE PIPE X 2-1/2"
7	2	S47	GREASE FITTING
8	1	56N138	GREASE LINE
9	1	16V9	GREASE BRACKET
10	7	YWCU12005	WASHER, CUSTOM, FLAT, .435" ID. X 1-7/8" OD. X .125 THICK
11	1	YBHH12105	BOLT, 3/8" X 2-1/4" GR. 5 FULL THREAD
12	9	YBCR08005	CARR. BOLT, 1/4" X 1"
13	6	YBCR12065	CARR. BOLT, 3/8" X 3/4" GR. 5
14	3	YBCR12010	CARR. BOLT, 3/8" X 1" GR. 5
15	25	YBCR12015	CARR. BOLT, 3/8" X 1-1/2" GR. 5
16	1	YBCR12080	CARR. BOLT, 3/8" X 3-1/4" GR. 5
17	2	YBCR12095	CARR. BOLT, 3/8" X 4" GR. 5
18	1	YBCR12105	CARR. BOLT, 3/8" X 4-1/2" GR. 5 FULL THREAD
19	10	YWFL08005	WASHER, FLAT, 1/4" USS
20	1	YWFL12005	WASHER, FLAT, 3/8" USS
21	12	YWLO12005	WASHER, LOCK, 3/8" USS
22	10	YNHX08005	HEX NUT, 1/4"
23	41	YNHX12005	HEX NUT, 3/8"-16
24	1	YNTL12005	HEX NUT, TOP LOCK, 3/8"-16
25	1	66079	HEX ADAPTER, 1/4" FEMALE & 1/8" FEMALE PIPE

# FIGURE 7

## REAR SHIELDS



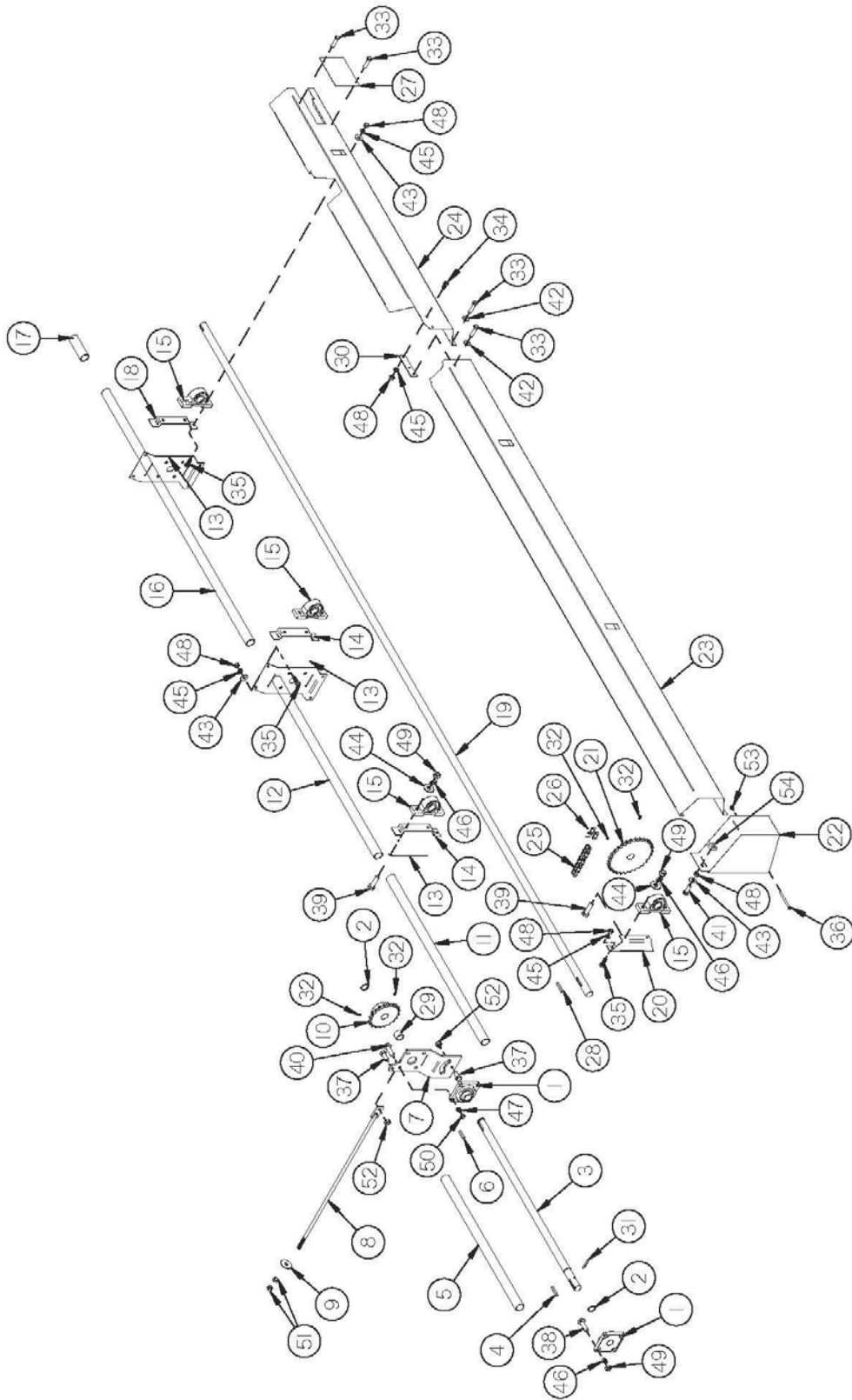


# FIGURE 7

## REAR SHIELDS

<u>ITEM</u>	<u>QTY</u>	<u>PART #</u>	<u>DESCRIPTION</u>
1	1	56N25	REAR SHIELD
2	1	56N161	LEFT MAIN PANEL END
3	1	56N27	MAIN PANEL LEFT
4	1	56N30	MAIN PANEL RIGHT
5	1	56N162	RIGHT MAIN PANEL END
6	1	56N32	BEARING PLATE
7	2	56N33	PLYWOOD BLOCK
8	4	F69	SHIELD BRACKET
9	1	56N34	APRON SHIELD
10	1	56N159	SMV BRACKET
11	1	56N176	SLOT COVER
12	4	S122	CLIP PIN W/ LANYARD
13	1	YBHH08100	BOLT, 1/4" X 3/4" GR. 5
14	4	YBHH12135	BOLT, 3/8" X 3/4" GR. 5
15	1	YBHH12010	BOLT, 3/8" X 1" GR. 5
16	2	YBCR08010	CARR. BOLT 1/4" X 1-1/2"
17	2	YBCR12065	CARR. BOLT, 3/8" X 3/4" GR. 5
18	16	YBCR12010	CARR. BOLT, 3/8" X 1" GR. 5
19	1	YWLO08005	WASHER, LOCK, 1/4"
20	1	YWFL12005	WASHER, FLAT, 3/8" USS
21	23	YWLO12005	WASHER, LOCK, 3/8" USS
22	3	YNHX08005	HEX NUT, 1/4"
23	23	YNHX12005	HEX NUT, 3/8"-16

**FIGURE 8**  
**BEATER DRIVE TRAIN**

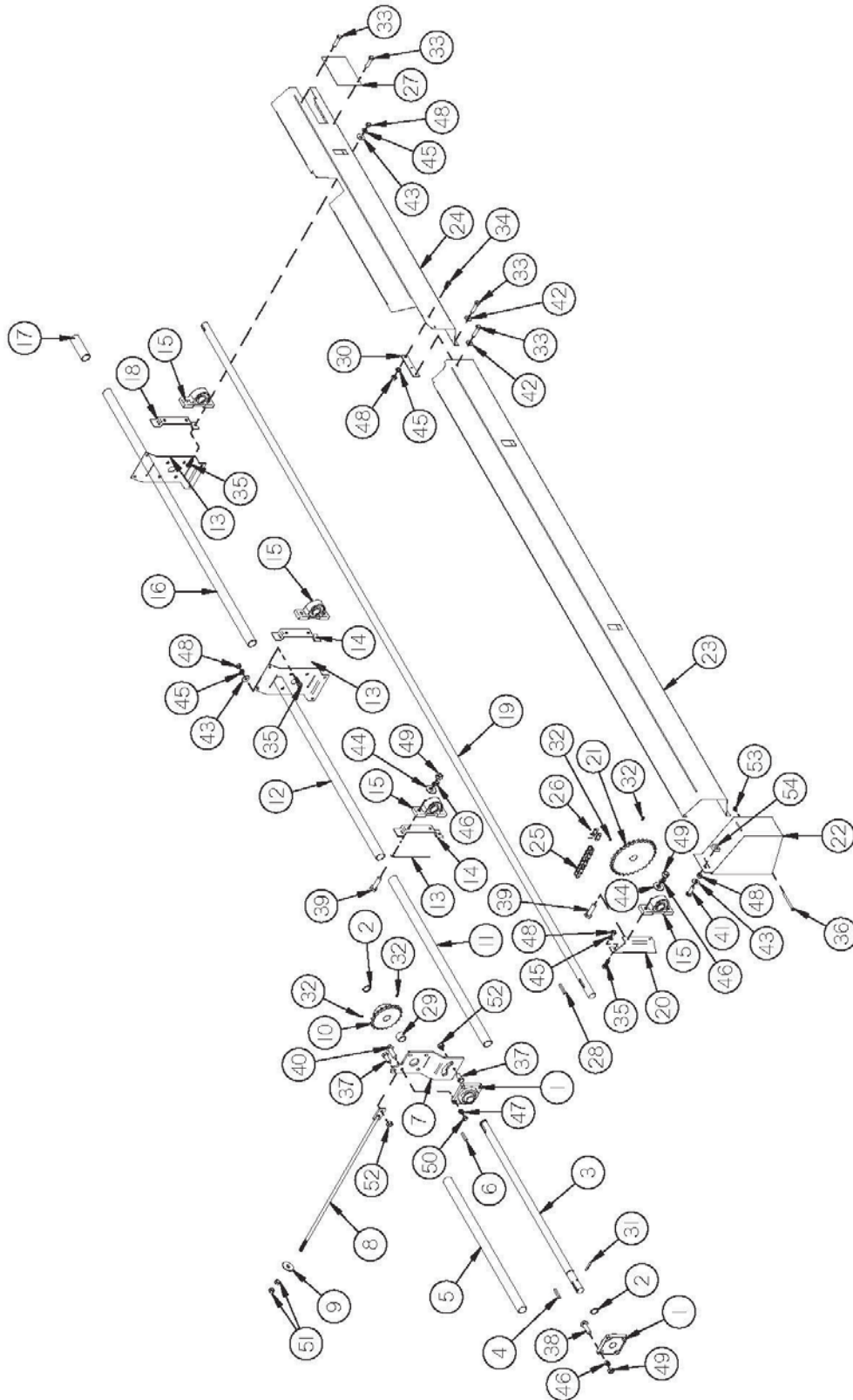


## FIGURE 8

### BEATER DRIVE TRAIN

<u>ITEM</u>	<u>QTY</u>	<u>PART #</u>	<u>DESCRIPTION</u>
1	2	12V99	BEARING
2	2	12V62	SNAP RING
3	1	56N35	INPUT SHAFT
4	1	S138	3/8" X 2-3/8" KEY W/ ROUND ENDS
5	1	56N36	INPUT PVC SHIELD
6	1	PB87	3/8" X 2" KEY
7	1	56N37	JACK SHAFT BRACKET
8	1	56N38	TIGHTENER ROD
9	1	F129	TIGHTENER WASHER
10	1	12V104	20 T SPROCKET
11	1	56N39	SIDE PVC SHIELD FRONT
12	1	56N40	SIDE PVC SHIELD FRONT CENTER
13	3	56N41	BEARING BRACKET
14	2	56N42	SHIELD TAB
15	4	16SV72	PILLOW BLOCK BEARING
16	1	56N43	SIDE PVC SHIELD BACK CENTER
17	1	56N44	SIDE PVC SHIELD BACK
18	1	56N45	SHIELD TAB BACK
19	1	56N46	SIDE SHAFT
20	1	56N47	BEARING STANDOFF
21	1	56N48	SIDE SHAFT SPROCKET (80-B-30)
22	1	56N49	FRONT SHIELD
23	1	56N50	SIDE SHIELD FRONT
24	1	56N51	SIDE SHIELD BACK
25	1	56N52	PRIMARY DRIVE CHAIN (#80 x 119 PITCHES)
26	1	F157	#80 CONNECTOR LINK
27	1	56N53	GALVANIZED COVER

**FIGURE 8**  
**BEATER DRIVE TRAIN**



## FIGURE 8

### BEATER DRIVE TRAIN

<u>ITEM</u>	<u>QTY</u>	<u>PART #</u>	<u>DESCRIPTION</u>
28	1	PB136	3/8" X 2" KEY W/ ROUND ENDS
29	1	56N61	FRONT SPROCKET SPACER
30	1	56N151	SHIELD TAB
31	1	YPEX12022	EXPANSION PIN, 3/8" X 2-3/8"
32	4	YSKP12010	SET SCREW, KNURLED, 3/8"-16 X 1/2"
33	4	YSHW10005	THREAD CUTTING SCREW- HEX WASHER HEAD SLOTTED - TYPE "F"
34	2	YBHH12135	BOLT, 3/8" X 3/4" GR. 5
35	11	YBHH12010	BOLT, 3/8" X 1" GR. 5
36	1	YBHH12185	BOLT, 3/8" X 4-1/2" GR. 5
37	2	YBHH16045	BOLT, 1/2" X 1-1/4" GR. 5
38	4	YBHH16030	BOLT, 1/2" X 1-1/2" GR. 5
39	8	YBHH16055	BOLT, 1/2" X 1-3/4" GR. 5
40	4	YBHH18005	BOLT, 9/16" X 1-1/2" GR. 5
41	1	YBCR12030	CARR. BOLT 3/8" X 1-3/4" GR. 5
42	2	YWFL10005	WASHER, FLAT, 5/16" USS
43	10	YWFL12005	WASHER, FLAT, 3/8" USS
44	8	YWFL16005	WASHER, FLAT, 1/2" USS
45	13	YWLO12005	WASHER, LOCK, 3/8"
46	12	YWLO16005	WASHER, LOCK, 1/2"
47	4	YWLO18005	WASHER, LOCK, 9/16"
48	14	YNHX12005	HEX NUT, 3/8"-16
49	12	YNHX16005	HEX NUT, 1/2"
50	4	YNHX18005	HEX NUT, 9/16"-11
51	2	YNHX20005	HEX NUT, 5/8"-11
52	2	YNRL16005	HEX NUT, REVERSIBLE-SIDE LOCK, 1/2"-13
53	1	YNL12005	HEX NUT, TOP LOCK, 3/8"-16
54	1	YNWG12005	NUT, WING, 3/8"

# FIGURE 9

## BEATER DRIVE



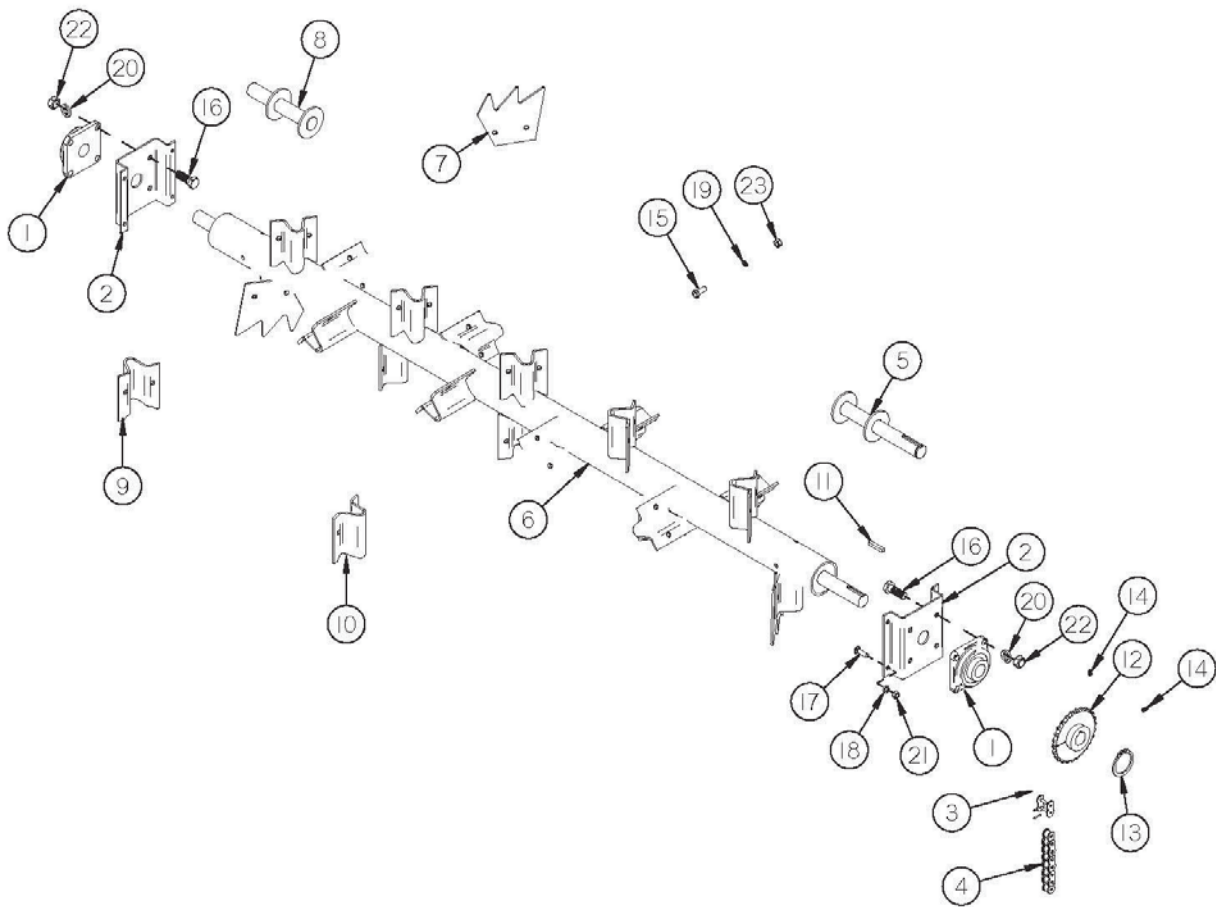
# FIGURE 9

## BEATER DRIVE

<u>ITEM</u>	<u>QTY</u>	<u>PART #</u>	<u>DESCRIPTION</u>
1	2	G139	3/8" X 1-1/2" KEY
2	2	50N178	LOCK COLLAR
3	1	16SV69	KEYED CLUTCH
4	1	16SV71	SPLINED CLUTCH
5	1	43NW17	CLUTCH SPRING
6	1	56N54	COMPLETE GEAR BOX
7	1	56N55	GEAR BOX MOUNT
8	1	56N56	GEAR BOX SPROCKET (80-B-16)
*	1	56N167	GEAR BOX SPROCKET (80-B-19) (OPTIONAL)
9	1	56N57	GEAR BOX MOUNT TOP
10	2	12V52	BEARING
11	2	12V77	IDLER SPROCKET W/ BEARING (80-A-12)
12	2	56N58	BEATER TIGHTENER PRIMARY
13	1	10R14	SPRING
14	1	56N160	SPRING HOLDER
15	1	R27	SPRING
16	1	16SV70	BRONZE BUSHING
17	1	56N150	SECOND BEATER TIGHTENER SPACER
18	1	56N149	BEATER TIGHTENER SPACER
19	1	F31	LOOP
20	4	YSKP12010	SET SCREW, KNURLED, 3/8-16 X 1/2
21	4	YBHH12010	BOLT, 3/8 X 1 GR. 5
22	4	YBHH16045	BOLT, 1/2 X 1-1/4 GR. 5
23	2	YBHH16065	BOLT, 1/2 X 2 GR. 5
24	8	YBHH20015	BOLT, 5/8 X 1-1/4 GR. 5
25	1	YBHH24050	BOLT, 3/4" X 3" GR. 5
26	1	YBHH24055	BOLT, 3/4 X 3-1/2 GR. 5
27	7	YBCR12010	CARR. BOLT, 3/8 X 1 GR. 5
28	1	YBTE08005	TURNED EYE BOLT, 1/4" X 1" FULL THREAD
29	7	YWFL10005	WASHER, FLAT, 5/16" USS
30	2	YWFL16005	WASHER, FLAT, 1/2 USS
31	1	YWFL24005	WASHER, FLAT, 3/4 USS
32	1	YWLO08005	WASHER, LOCK, 1/4
33	11	YWLO12005	WASHER, LOCK, 3/8
34	4	YWLO16005	WASHER, LOCK, 1/2
35	8	YWLO20005	WASHER, LOCK, 5/8"
36	1	YNHX08005	HEX NUT, 1/4
37	11	YNHX12005	HEX NUT, 3/8-16
38	5	YNHX16005	HEX NUT, 1/2
39	1	YNNJ24005	HEX NUT, NYLON JAM LOCKNUT, 3/4
40	2	YNTL16005	HEX NUT, TOP LOCK, 1/2-13
41	2	YNTL24005	HEX NUT, TOP LOCK, 3/4-10

**NOTE: \* MEANS NOT SHOWN**

**FIGURE 10**  
**TOP BEATER**





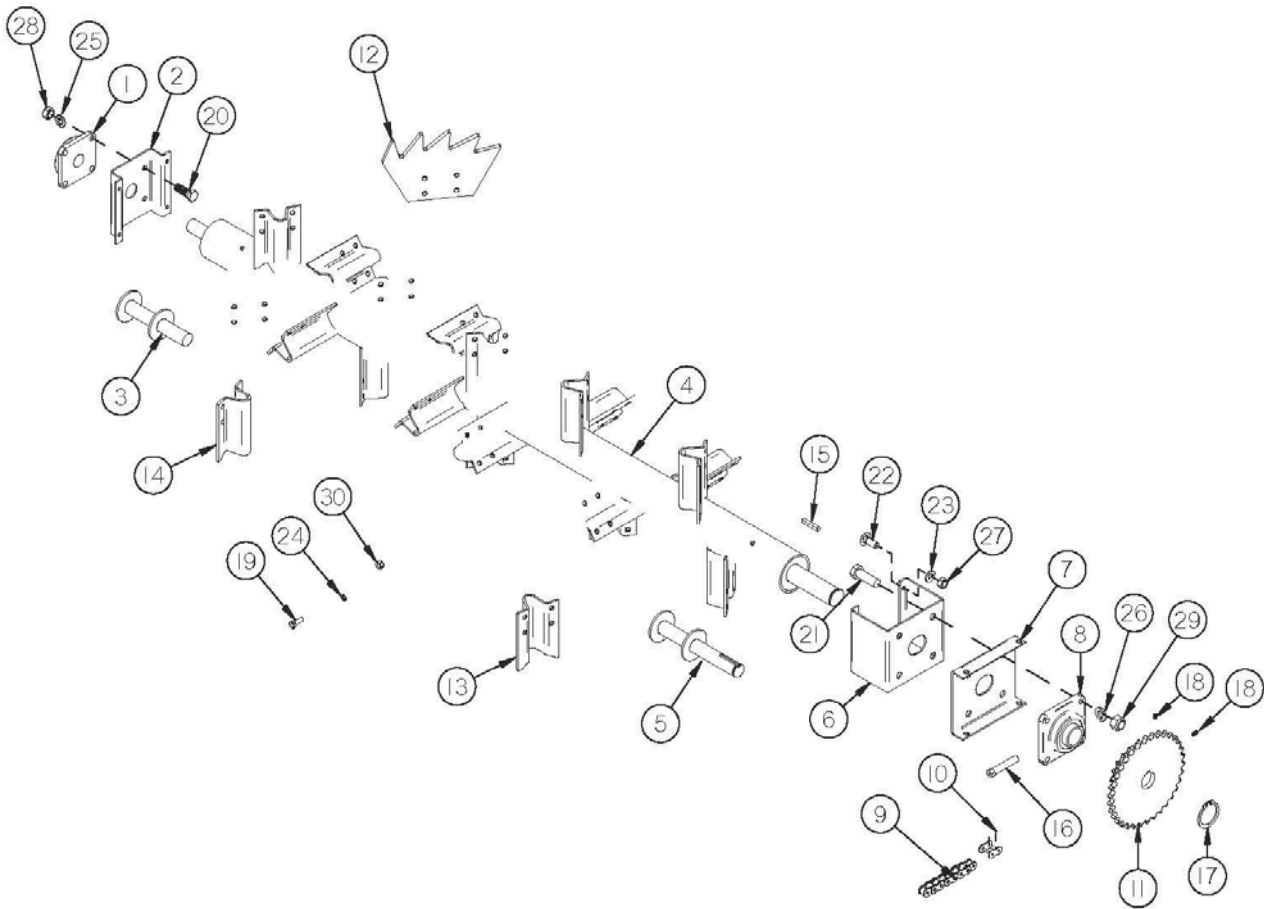
# FIGURE 10

## TOP BEATER

<u>ITEM</u>	<u>QTY</u>	<u>PART #</u>	<u>DESCRIPTION</u>
1	2	12V99	BEARING
2	2	56N68	BEATER BEARING MOUNT
3	1	F157	#80 CONNECTOR LINK
4	1	56N75	BOTTOM BEATER TO TOP CHAIN (#80 x 73 PITCHES)
5	1	56N78	SECOND BEATER DRIVE SHAFT
6	1	56N79	SECOND BEATER
7	18	45N27	SECOND BEATER BLADE
8	1	56N80	SECOND BEATER STUB SHAFT
9	9	56N116	BLADE HOLDER LEFT
10	9	56N117	BLADE HOLDER RIGHT
11	1	PB136	3/8" X 2" KEY W/ ROUND ENDS
12	1	12V104	BEATER SPROCKET 80-B-20
13	1	12V62	SNAP RING
14	2	YSKP12025	SET SCREW, SOCKET, KNURLED CUP PT, 3/8"-16 X 3/8"
15	36	YBHH16045	BEATER BLADE BOLT (1/2" X 1-1/4" GR. 5)
16	8	YBHH18005	BOLT, 9/16 X 1-1/2 GR. 5
17	4	YBCR12010	CARR. BOLT, 3/8 X 1 GR. 5
18	4	YWLO12005	WASHER, LOCK, 3/8
19	36	YWLO16005	WASHER, LOCK, 1/2
20	8	YWLO18005	WASHER, LOCK, 9/16
21	4	YNHX12005	HEX NUT, 3/8-16
22	8	YNHX18005	HEX NUT, 9/16-11
23	36	YNL16005	HEX NUT, TOP LOCK, 1/2-13

# FIGURE 11

## BOTTOM BEATER



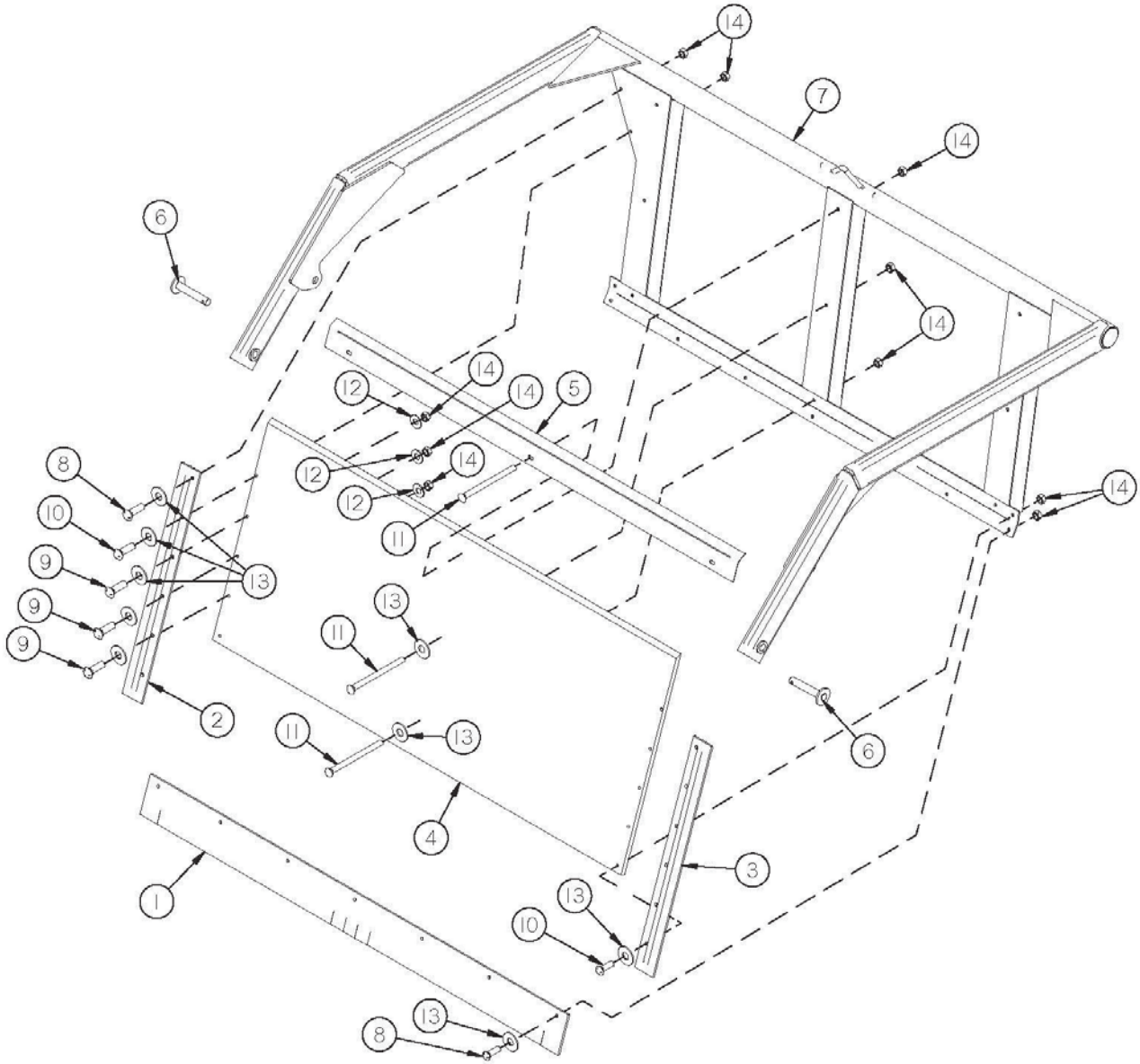
# FIGURE 11

## BOTTOM BEATER

<u>ITEM</u>	<u>QTY</u>	<u>PART #</u>	<u>DESCRIPTION</u>
1	1	12V99	BEARING
2	1	56N68	BEATER BEARING MOUNT
3	1	56N69	BEATER STUB SHAFT
4	1	56N70	BEATER
5	1	56N71	BEATER DRIVE SHAFT
6	1	56N72	BEATER BEARING STAND OFF
7	1	56N73	BEATER BEARING MOUNT LEFT
8	1	56N74	BEARING
9	1	56N77	GEAR BOX TO BEATER CHAIN (#80 X 52 PITCHES)
*	1	56N169	GEAR BOX TO BEATER CHAIN (#80 X 55 PITCHES) (OPTIONAL)
10	1	F157	#80 CONNECTOR LINK
11	1	56N76	BEATER SPROCKET 80-A-34 & 80-B-20
12	18	56N140	BEATER BLADE
13	9	23N3	BLADE HOLDER LEFT
14	9	23N4	BLADE HOLDER RIGHT
15	1	PB136	3/8" X 2" KEY W/ ROUND ENDS
16	1	16SV26	PIPE GREASE ZERK
17	1	8003	2" SNAP RING
18	2	YSKP12025	SET SCREW, SOCKET, KNURLED CUP PT, 3/8" - 16 X 3/8"
19	72	YBHH16070	1/2" X 2" GR. 8 BOLT
20	4	YBHH18005	BOLT, 9/16" X 1-1/2" GR. 5
21	4	YBHH24035	BOLT, 3/4" X 2-1/4" GR. 5
22	4	YBCR12010	CARR. BOLT, 3/8" X 1" GR. 5
23	4	YWLO12005	WASHER, LOCK, 3/8"
24	72	YWLO16005	WASHER, LOCK, 1/2"
25	4	YWLO18005	WASHER, LOCK, 9/16"
26	4	YWLO24005	WASHER, LOCK, 3/4"
27	4	YNHX12005	HEX NUT, 3/8" - 16
28	4	YNHX18005	HEX NUT, 9/16" - 11
29	4	YNHX24005	HEX NUT, 3/4" - 10
26	72	YNL16005	HEX NUT, TOP LOCK, 1/2" - 13

**NOTE: \* MEANS NOT SHOWN**

**FIGURE 12**  
**ENDGATE**

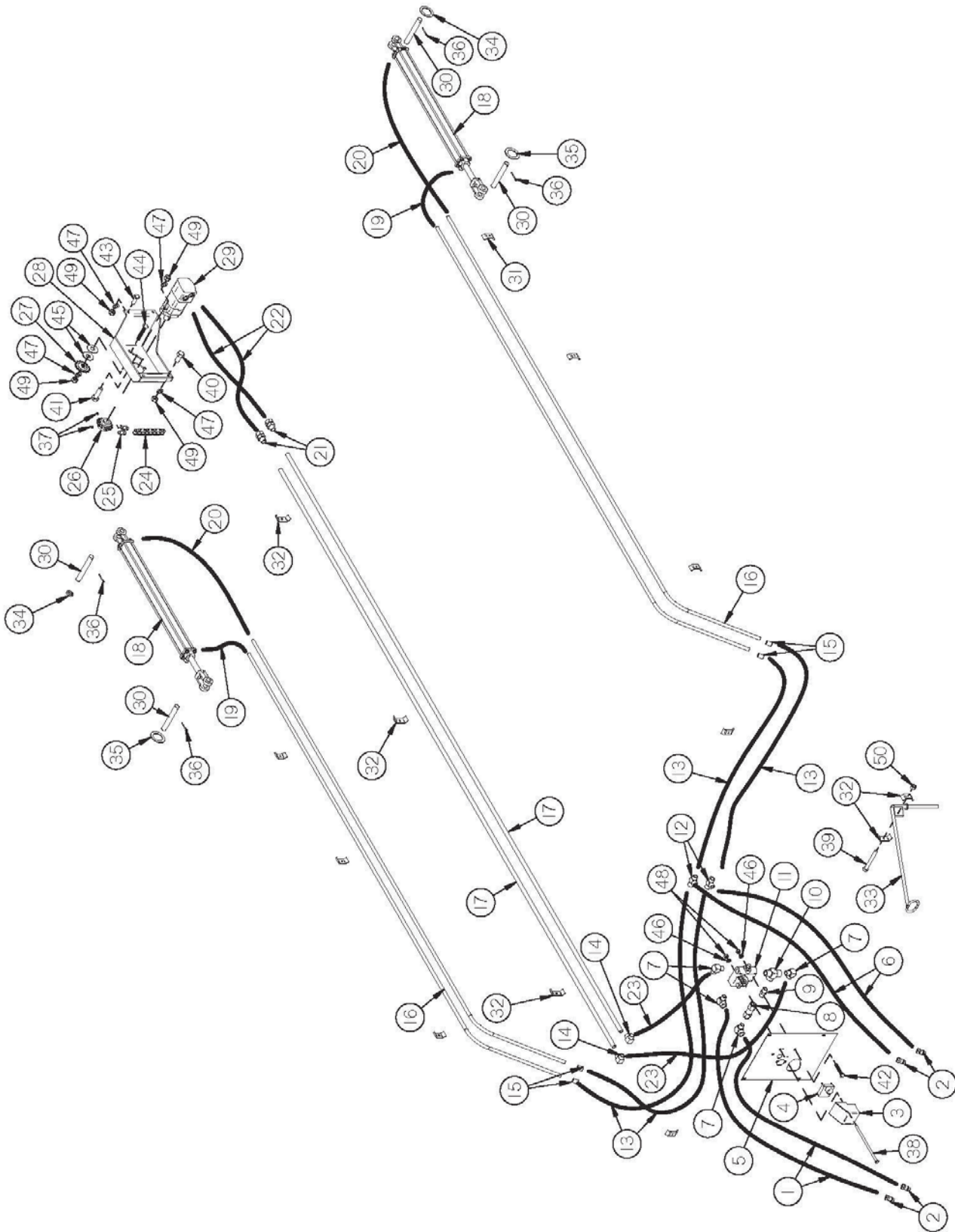


## FIGURE 12

### ENDGATE

<u>ITEM</u>	<u>QTY</u>	<u>PART #</u>	<u>DESCRIPTION</u>
1	1	56N62	TAILGATE RUBBER
2	1	56N63	TAILGATE RUBBER RIGHT
3	1	56N64	TAILGATE RUBBER LEFT
4	1	56N65	ENDGATE PLYWOOD
5	1	56N66	PLYWOOD HOLDOWN
6	2	56N163	ENDGATE HINGE PIN
7	1	56N67	TAILGATE
8	9	YBCR12010	CARR. BOLT 3/8 X 1 GR. 5
9	6	YBCR12015	CARR. BOLT, 3/8" X 1-1/2" GR. 5
10	4	YBCR12030	CARR. BOLT 3/8 X 1-3/4 GR. 5
11	9	YBCR12105	CARR. BOLT, 3/8 X 4-1/2 GR. 5 FULL THREAD
12	6	YWFL12005	WASHER, FLAT, 3/8 USS
13	25	YWFL16005	WASHER, FLAT, 1/2 USS
14	28	YNHX12005	HEX NUT, 3/8-16

**FIGURE 13**  
**HYDRAULICS**

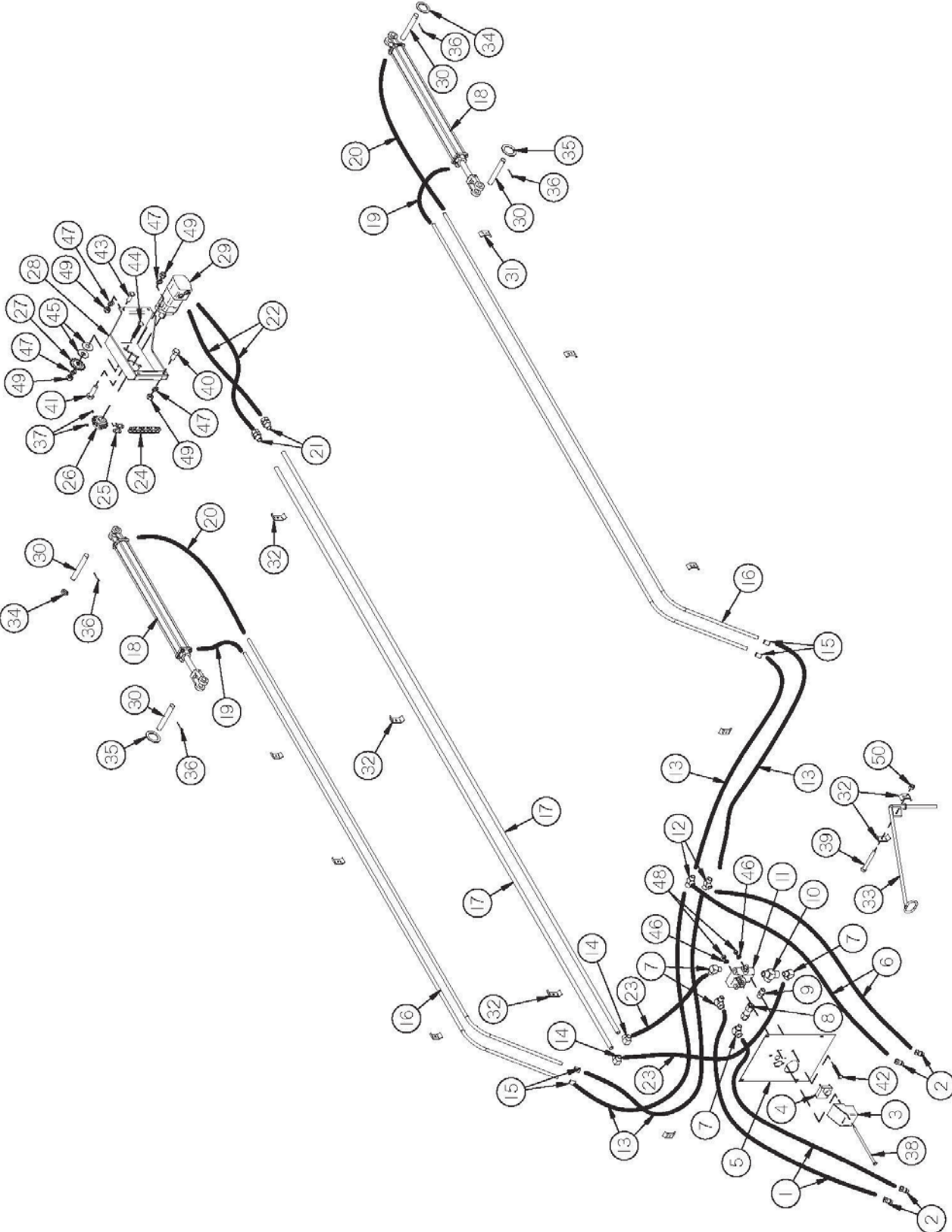


# FIGURE 13

## HYDRAULICS

<u>ITEM</u>	<u>QTY</u>	<u>PART #</u>	<u>DESCRIPTION</u>
1	1	56N81	HYDRAULIC HOSE 3/4" X 120" 3/4"MP & 1/2"MP
2	4	DWM205	QUICK COUPLER MALE
3	1	43H1	MOTOR SHIELD/HOLDER
4	1	16SV246	GEAR MOTOR
5	1	56N82	HYDRAULIC CONTROL PANEL
6	1	56N83	HYDRAULIC HOSE 3/8" X 132" 3/8"MP & 1/2"MP
7	4	STM39	STREET ELBOW 3/4"
8	1	PB185	CHECK VALVE 3/4"
9	1	56N118	CLOSE NIPPLE 3/4"
10	1	STM40	SERVICE TEE 3/4"
11	1	33SV74	FLOW CONTROL 3/4"
12	2	BFR74	TEE 3/8"
13	4	56N84	HYDRAULIC HOSE 3/8" X 50" 3/8"MP & 3/8"MPX
14	2	56N119	ELBOW 3/4"
15	4	HE59	ELBOW 3/8"
16	4	56N85	HYDRAULIC PIPE
17	2	56N86	APRON HYDRAULIC LINE
18	2	56002	HYDRAULIC CYLINDER (2" X 20")
19	1	12V19	HYDRAULIC HOSE 3/8" X 24"
20	1	12V20	HYDRAULIC HOSE 3/8" X 44"
21	2	56N120	FEMALE UNION ADAPTER 3/4"
22	2	56N87	HYDRAULIC HOSE 3/4" X 24" 3/4"MP & #10 O-RING
23	2	56N88	HYDRAULIC HOSE 3/4" X 49" 3/4"MP & 3/4"MPX
24	1	56N89	DRIVE CHAIN #60 x 102 PITCHES
25	1	D39	CONNECTOR LINK (#60)

**FIGURE 13**  
**HYDRAULICS**





# FIGURE 13

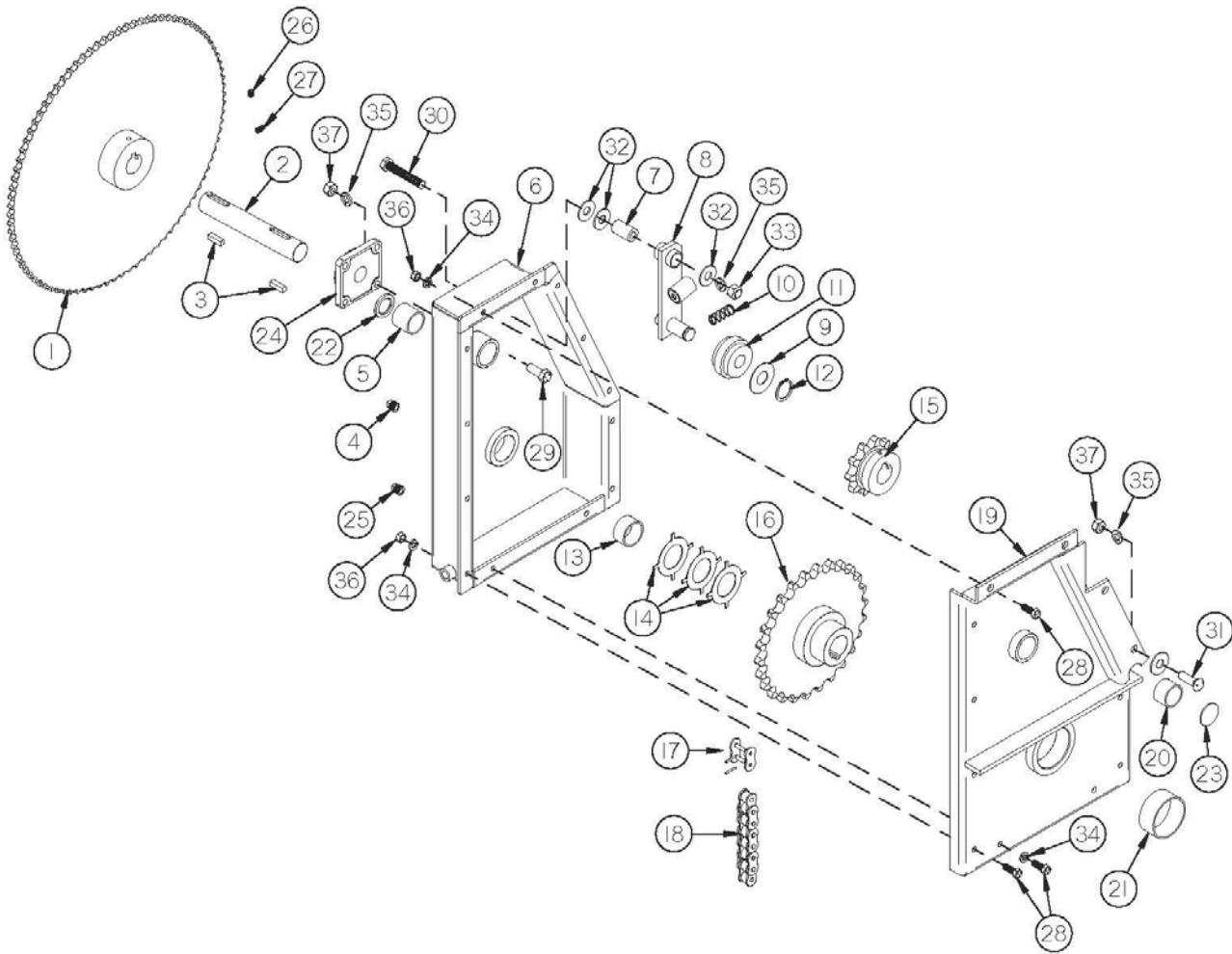
## HYDRAULICS

<u>ITEM</u>	<u>QTY</u>	<u>PART #</u>	<u>DESCRIPTION</u>
26	1	56N90	MOTOR SPROCKET (60-C-14)
27	1	12N42	15T IDLER SPROCKET
28	1	56N91	APRON MOTOR MOUNT
29	1	16SV150	HYDRAULIC MOTOR 2000 SERIES
30	4	56N141	CYLINDER PIN
31	9	HE42	HOSE BRACKET
32	7	23N67	HOSE BRACKET
33	1	16SV332	HOSE HOLDER
34	A/R	56N184	SPACER
35	A/R	S345	SHIM
36	4	YPCT07005	COTTER PIN, 7/32" X 2 "
37	1	YSKP12025	SET SCREW, SOCKET, KNURLED CUP PT, 3/8"-16 X 3/8"
38	1	YBHH08125	BOLT, 1/4" X 6" GR. 5
39	1	YBHH12125	BOLT, 3/8" X 3" GR. 5 FULL THREAD
40	2	YBHH16010	BOLT, 1/2" X 1" GR. 5
41	2	YBHH16030	BOLT, 1/2" X 1-1/2" GR. 5
42	1	YBCR08025	CARR. BOLT, 1/4" X 2-1/2" GR. 5
43	2	YBCR16015	CARR. BOLT, 1/2" X 1-1/4" GR. 5
44	1	YBCR16030	CARR. BOLT, 1/2" X 2-1/2" GR. 5
45	2	YWFL16005	WASHER, FLAT, 1/2"
46	2	YWLO08005	WASHER, LOCK, 1/4"
47	7	YWLO16005	WASHER, LOCK, 1/2"
48	2	YNHX08005	HEX NUT, 1/4"
49	7	YNHX16005	HEX NUT, 1/2"
50	1	YNNY12005	HEX NUT, NYLON LOCKNUT, 3/8"

**NOTE: A/R MEANS AS REQUIRED**

# FIGURE 14

## APRON GEARBOX



## FIGURE 14

### APRON GEARBOX

<u>ITEM</u>	<u>QTY</u>	<u>PART #</u>	<u>DESCRIPTION</u>
1	1	56N92	GEAR BOX DRIVE SPROCKET (60-B-90)
2	1	56N93	GEARBOX SHAFT
3	2	56N94	3/8" x 1-7/8" KEY (ROUND ENDS)
4	1	56N95	3/4"-14 O-RING PLUG
5	1	17G134	BRONZE BUSHING 1-3/4"OD X 1-1/2"ID X 1-1/2"
6	1	56N96	GEARBOX BASE
7	1	56N97	TIGHTENER AXLE
8	1	56N98	TIGHTENER
9	1	56N99	TIGHTENER WASHER
10	1	17G130	SPRING
11	1	IFB14	POLY CHAIN TIGHTENER
12	1	3G21	1" SNAP RING
13	1	56N100	BRONZE BUSHING 2"OD X 1-3/4"ID X 1"
14	3	56N101	FINAL DRIVE SHIM
15	1	33SV80I	SPROCKET 100-B-10
16	1	56N102	FINAL DRIVE SPROCKET 100-C-26
17	1	57866	CONNECTOR LINK #100
18	1	56N103	CHAIN #100 X 36 PITCHES
19	1	56N105	GEARBOX COVER
20	1	17G111	BRONZE BUSHING 1-3/4"OD X 1-1/2"ID X 1.000
21	1	56N106	BRONZE BUSHING 3-1/4"OD X 3"ID X 1.375
22	1	17G133	SEAL
23	1	17G139	FROST PLUG 1-3/4"
24	1	12V99	BEARING
25	1	G65	PLUG 3/8" - NPT
*	1	56N121	COMPLETE GEARBOX
26	1	YSKP12025	SET SCREW, SOCKET, KNURLED CUP PT, 3/8"-16 X 3/8"
27	1	YSFD12005	SET SCREW, SOCKET, FULL DOG PT, 3/8"-16 X 3/4"
28	13	YBHH12010	BOLT, 3/8" X 1" GR. 5
29	4	YBHH16045	BOLT, 1/2" X 1-1/4" GR. 5
30	1	YBHH16105	BOLT, 1/2" X 3" GR. 5
31	4	YBCR16015	CARR. BOLT, 1/2" X 1-1/4" GR. 5
32	3	YWFL16005	WASHER, FLAT, 1/2" USS
33	1	YNL16005	HEX NUT, TOP LOCK, 1/2" - 13
34	13	YWLO12005	WASHER, LOCK, 3/8"
35	9	YWLO16005	WASHER, LOCK, 1/2"
36	11	YNHX12005	HEX NUT, 3/8" - 16
37	8	YNHX16005	HEX NUT, 1/2"

**NOTE: \* MEANS NOT SHOWN**

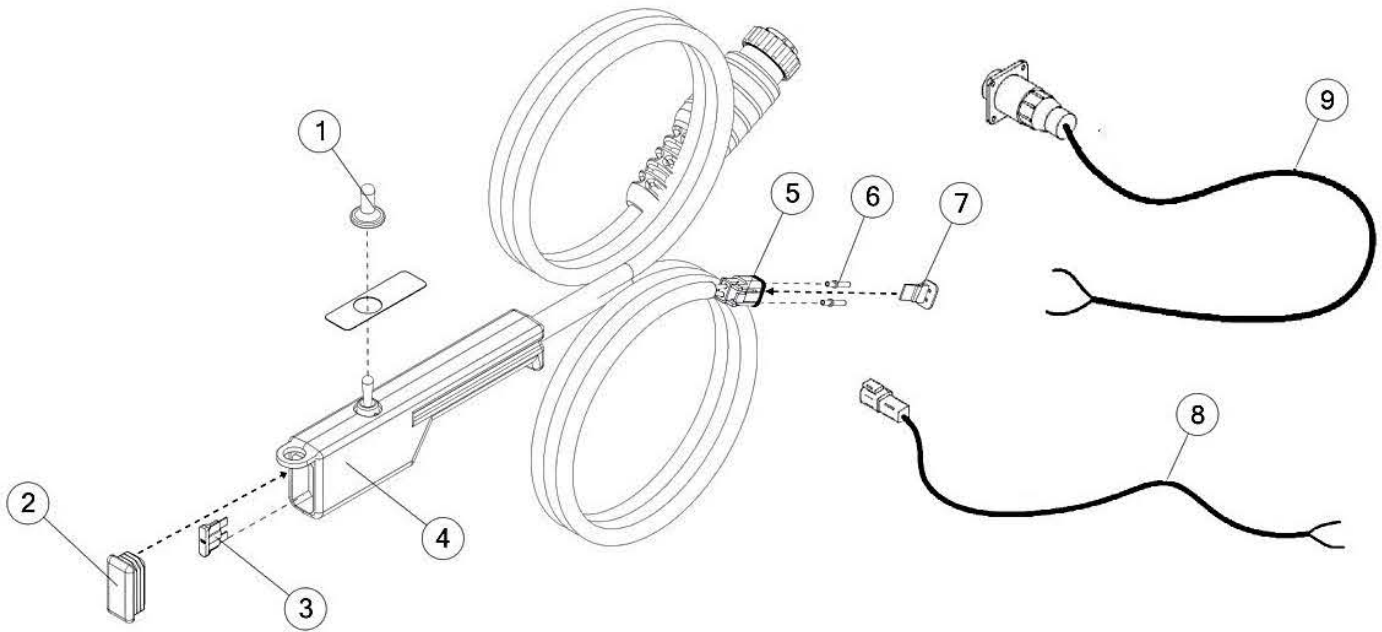


# FIGURE 15

## APRON CHAIN

<u>ITEM</u>	<u>QTY</u>	<u>PART #</u>	<u>DESCRIPTION</u>
1	2	56N107	APRON TIGHTENER SPACER
2	2	56N165	IDLER SHAFT - SQUARE
3	4	56N164	SLIDES
4	4	50N177	APRON DRIVE SPROCKET
5	1	56N109	APRON DRIVE SHAFT
6	4	56N174	3/8" x 2" KEY W/ ROUND ENDS (HARDENED)
7	1	56N110	BEARING BRACKET LEFT
8	2	56N111	DRIVE SHAFT BUSHING 2"OD x 1-3/4"ID x 2.500
9	1	56N112	CENTER BEARING HOLDER
10	1	56N113	DRIVE SHAFT CENTER BUSHING 2"OD x 1-3/4"ID x 2.500
11	1	56N114	BEARING BRACKET RIGHT
12	54	56N175	67 T-BAR SLAT - 54 PCS.
13	552	A12	67 T-BAR LINK - 552 PCS.
14	1	56N130	3/8" x 3.875" KEY ROUND ENDS
15	1	56N173	IDLER SHAFT STOP
16	8	YSKP12025	SET SCREW, SOCKET, KNURLED CUP PT, 3/8"-16 X 3/8"
17	2	YBHH16095	BOLT, 1/2" X 2-1/4" GR. 5
18	2	YBHH16190	BOLT, 1/2" X 9-1/2" GR. 5
19	2	YBHH16022	BOLT, 1/2" X 12" GR. 5
20	4	YBCR12010	CARR. BOLT 3/8" X 1" GR. 5
21	2	YBCR16015	CARR. BOLT, 1/2" X 1-1/4" GR. 5
22	4	YWLO12005	WASHER, LOCK, 3/8" USS
23	4	YWLO16005	WASHER, LOCK, 1/2"
24	2	YWFL16005	WASHER, FLAT, 1/2" USS
25	2	YWFL16010	1/2" SAE FLAT WASHER GR 8
26	4	YNHX12005	HEX NUT, 3/8" - 16
27	12	YNHX16005	HEX NUT, 1/2"

**FIGURE 16**  
**ELECTRIC CONTROL**

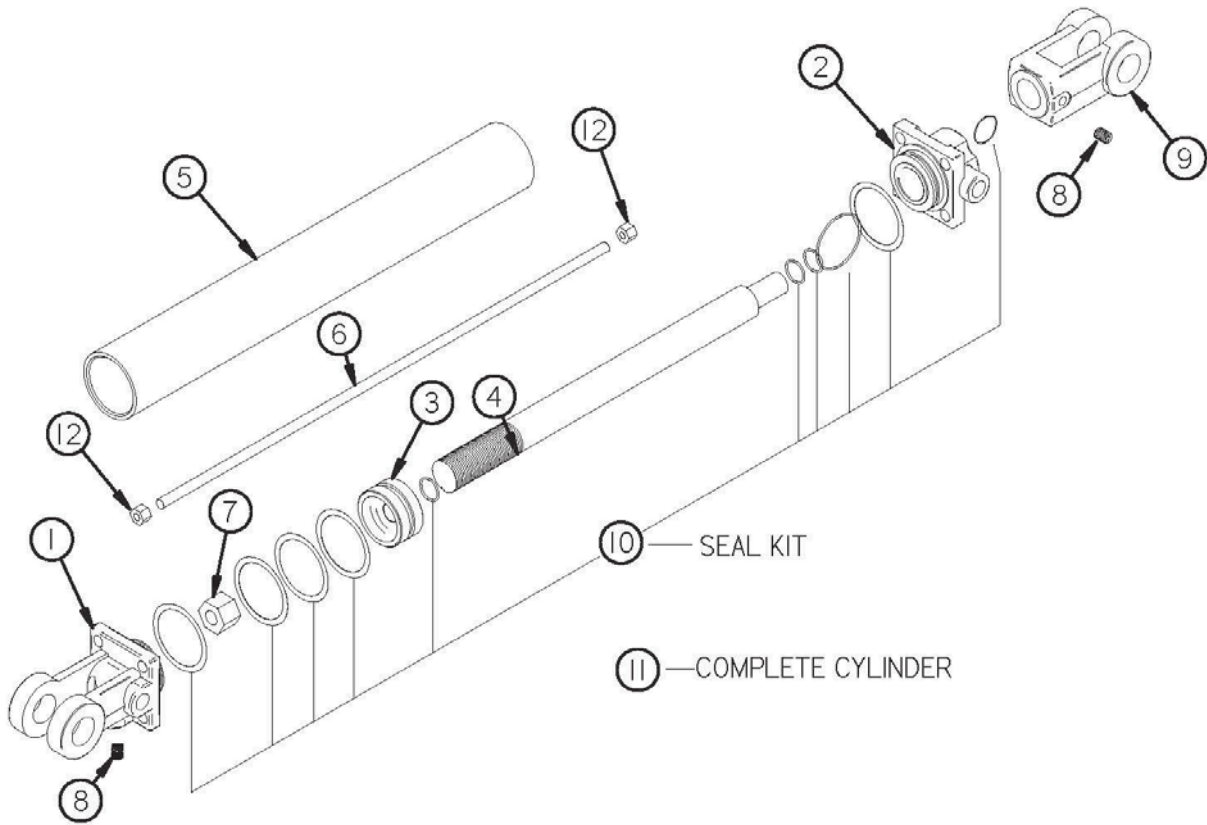


## FIGURE 16

### ELECTRIC CONTROL

<u>ITEM</u>	<u>QTY</u>	<u>PART #</u>	<u>DESCRIPTION</u>
1	1	16SV235	SWITCH BOOTS
2	1	61564	CAP
3	1	61597	FUSE, BLADE, 5AMP
4	1	63365	HAND CONTROLLER (ON-OFF-ON)
5	1	58790	DEUTSCH 2 PIN PLUG
6	2	56760	DEUTSCH SOCKET, SOLID, 14-16 GA.
7	1	58793	LOCKING WEDGE FOR DT06-2S CONNECTOR
8	1	56N134	SPREADER CONTROL CORD
9	1	16SV269	TRACTOR CONTROL CABLE

**FIGURE 17**  
**HYDRAULIC CYLINDER**



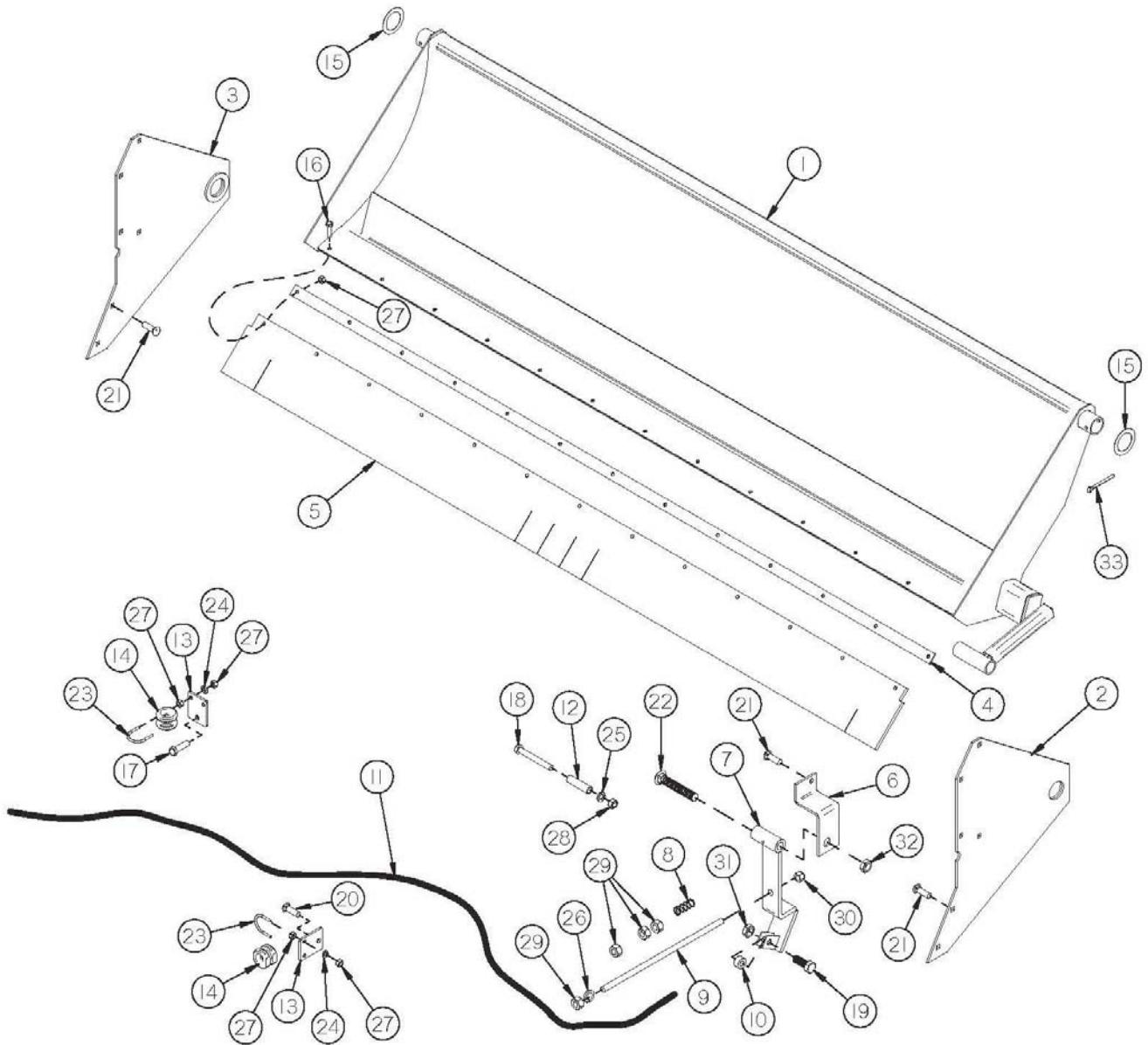


## FIGURE 17

### HYDRAULIC CYLINDER

<u>ITEM</u>	<u>QTY</u>	<u>PART #</u>	<u>DESCRIPTION</u>
1	1	23N142A	CLEVIS CAP
2	1	56174	ROD CAP
3	1	56180	PISTON
4	1	45N42	ROD
5	1	45N43	CYLINDER TUBE
6	4	45N44	TIE ROD
7	1	23N148	PISTON NUT
8	2	23N149	PLUG
9	1	56185	ROD CLEVIS
10	1	56187	SEAL KIT
11	1	56002	HYDRAULIC CYLINDER
12	8	YNHX12005	HEX NUT, 3/8"-16

**FIGURE 18**  
**OPTIONAL PAN**

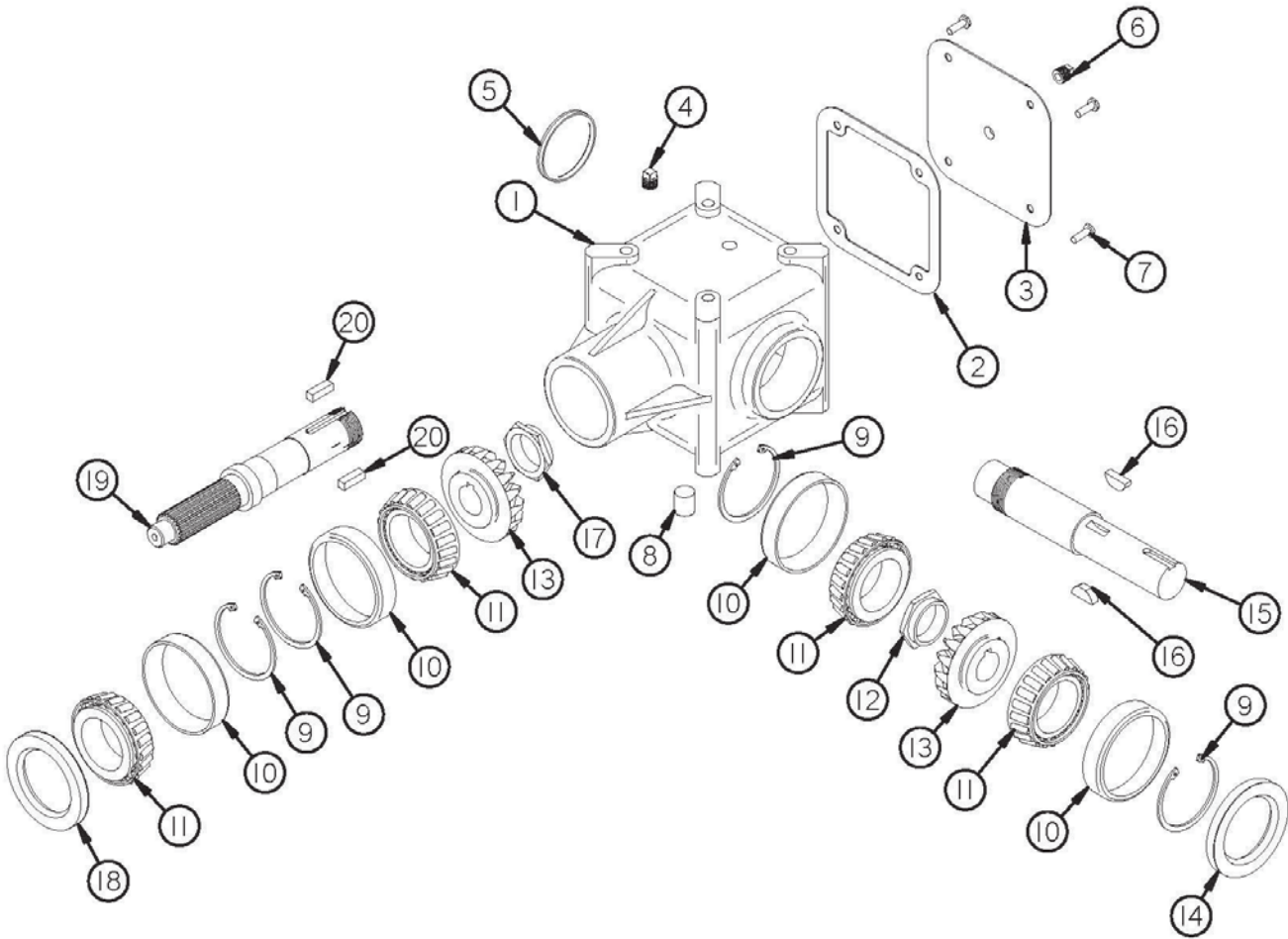


# FIGURE 18

## OPTIONAL PAN

<u>ITEM</u>	<u>QTY</u>	<u>PART #</u>	<u>DESCRIPTION</u>
1	1	56N122	PAN
2	1	56N123	PAN PLATE LEFT
3	1	56N124	PAN PLATE RIGHT
4	1	56N125	STRAP
5	1	56N126	RUBBER
6	1	56N127	LATCH MOUNT BRACKET
7	1	56N128	PAN LATCH
8	1	23N211	SPRING
9	1	56N129	READY ROD
10	1	D107	ROPE ROLLER
11	1	56N139	ROPE 38'
12	1	56N147	PIPE ROPE GUIDE
13	2	56N148	ROPE GUIDE HOLDER
14	2	F33	ROPE GUIDE
15	2	56N170	PAN WASHER
16	13	YBHH08010	BOLT, 1/4" X 1" GR. 5
17	1	YBHH12035	BOLT, 3/8" X 1-1/4" GR. 5 (REPLACE EXISTING 1" BOLT)
18	1	YBHH12155	BOLT, 3/8" X 3-1/4" GR. 5
19	1	YBHH16045	BOLT, 1/2" X 1-1/4" GR. 5
20	1	YBCR12010	CARR. BOLT, 3/8" X 1" GR. 5 (REPLACE 1" BOLT)
21	13	YBCR12020	CARR. BOLT, 3/8" X 1-1/4" GR. 5 (REPLACE 1" BOLTS)
22	1	YBHH16035	CARR. BOLT, 3/4" X 4-1/2" GR. 5
23	2	YBPU08005	PIPE U BOLT, 1/4"-20 X 3/4" PIPE, 1-1/4" ID, 2-1/4" IL, 1-1/4" THREAD
24	4	YWLO08005	WASHER, LOCK, 1/4"
25	1	YWLO12005	WASHER, LOCK, 3/8"
26	1	YWLO16005	WASHER, LOCK, 1/2"
27	21	YNHX08005	HEX NUT, 1/4"
28	1	YNHX12005	HEX NUT, 3/8" - 16
29	4	YNHX16005	HEX NUT, 1/2"
30	1	YNNY16005	HEX NUT, NYLON LOCKNUT, 1/2"
31	1	YNJM16005	HEX NUT, NYLON JAM LOCKNUT, 1/2"
32	1	YNNJ24005	HEX NUT, NYLON JAM LOCKNUT, 3/4"
33	2	YPCT08010	COTTER PIN, 1/4" X 2-1/2"

**FIGURE 19**  
**BEVEL GEARBOX**



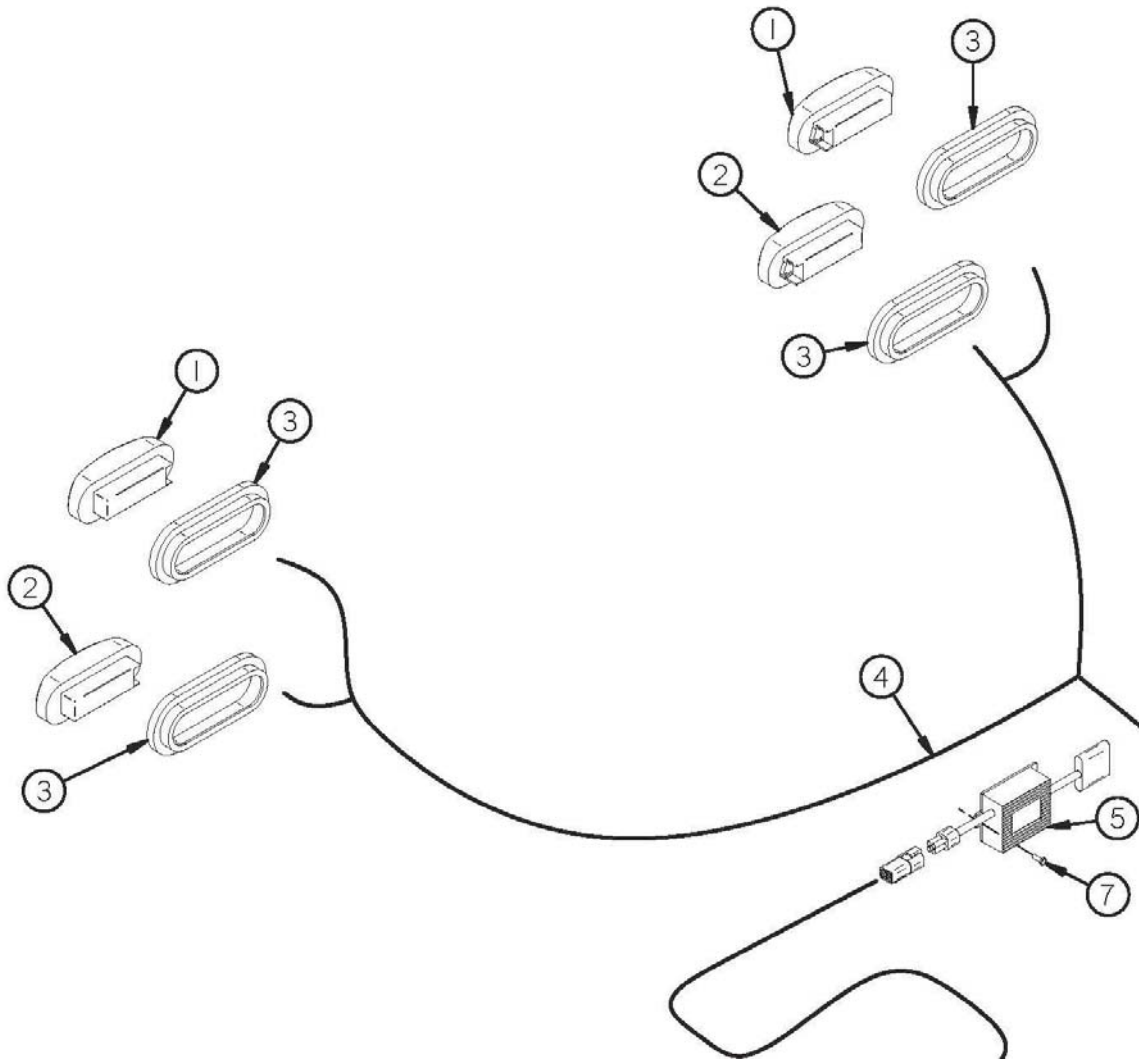
# FIGURE 19

## BEVEL GEARBOX

<u>ITEM</u>	<u>QTY</u>	<u>PART #</u>	<u>DESCRIPTION</u>
1	1	G125	HOUSING
2	1	G138	GASKET
3	1	G126	COVER
4	1	G144	PLUG 3/8" - VENT
5	1	G140	CAP
6	1	G65	PLUG 3/8" - NPT
7	4	YBHH10132	BOLT, 5/16" X 5/8"
8	1	G145	3/8" PLUG
9	4	G130	SNAP RING
10	4	G128	BEARING CUP #25520
11	4	G129	BEARING #25581
12	1	G132	2" STAKE NUT
13	2	G147	BEVEL GEAR
14	1	G136	SEAL - OUTPUT
15	1	56N132	OUTPUT SHAFT
16	2	G61	"E" 1210 WOODRUFF KEY
17	1	G133	1-3/4" STAKE NUT
18	1	G137	SEAL - INPUT
19	1	56N133	INPUT SHAFT
20	2	G139	KEY 3/8" x 1-1/2" HARDENED
*	1	56N54	COMPLETE GEARBOX

**NOTE: \* MEANS NOT SHOWN**

**FIGURE 20**  
**LIGHTING**



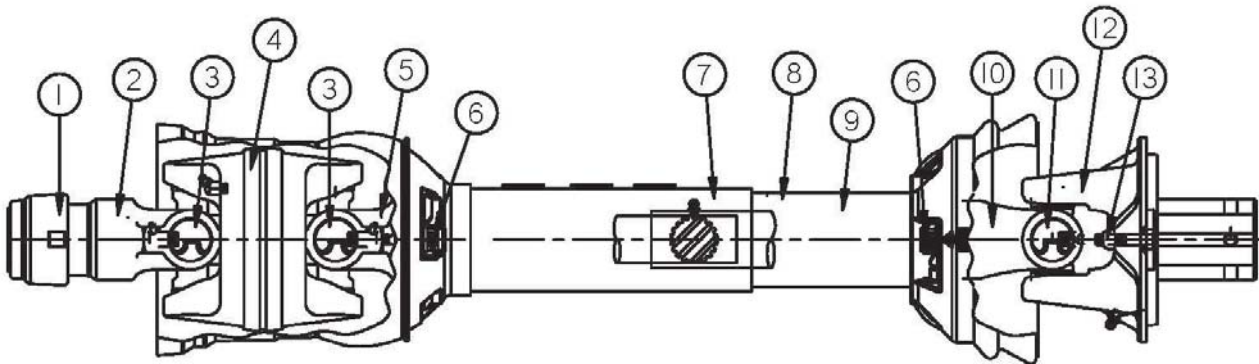
## **FIGURE 20**

### **LIGHTING**

<b><u>ITEM</u></b>	<b><u>QTY</u></b>	<b><u>PART #</u></b>	<b><u>DESCRIPTION</u></b>
1	2	S309	YELLOW HAZARD LIGHT
2	2	S310	RED TAIL LIGHT
3	4	S308	RUBBER LIGHT GROMMET
4	1	56N155	TAIL LIGHT LOOM
5	1	69908	MODULE, CONTROL, BLINKER
6	1	56N154	FLASHER MODULE LOOM
7	3	YSMS6400	SHEET METAL SCREW, HEX HEAD-SLOTTED, ZINC PLATED

## FIGURE 21

### PTO 1000RPM 1-3/8"



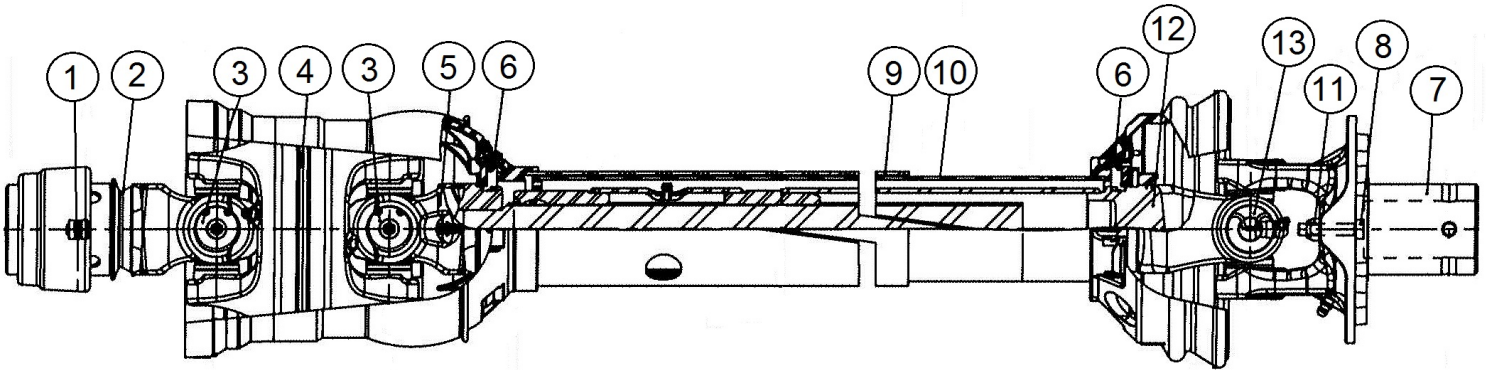
<u>ITEM</u>	<u>1000 RPM 1-3/8"</u>	<u>DESCRIPTION</u>
1	16SV274	SAFETY SLIDE LOCK REPAIR KIT
2	16SV277	SAFETY SLIDE LOCK YOKE ASSEMBLY
3	16SV279	CROSS KIT
4	16SV382	CENTER HOUSING
5	16SV282	YOKE & SHAFT
6	16SV383	NYLON REPAIR KIT
7	16SV386	OUTER GUARD
8	16SV387	INNER GUARD
9	16SV388	SAFETY SIGN (NOT SHOWN)
10	16SV287	YOKE, TUBE AND SLIP SLEEVE
11	16SV179	35R CROSS & BEARING KIT
12	16SV288	BALL SHEAR ASSEMBLY
13	YNNY10005	LOCK NUT 5/16"-18
*	YBHH10025	BOLT 5/16"-18 X 1.5" GR.2
*	16SV390	JOINT & SHAFT HALF ASSM. W/ GUARD
*	16SV393	JOINT & SHAFT HALF ASSM.
*	16SV396	JOINT & TUBE HALF ASSM. W/ GUARD
*	16SV300	JOINT & TUBE HALF ASSM.
*	16SV344A	COMPLETE PTO
*	S402	PTO SAFETY MANUAL

**NOTE: \* MEANS NOT SHOWN**



## FIGURE 22

### PTO 1000RPM 1-3/4" (OPTIONAL)



<b>ITEM</b>	<b>1000 RPM 1-3/4"</b>	<b>DESCRIPTION</b>
1	16SV275	SAFETY SLIDE LOCK REPAIR KIT
2	59837	SAFETY SLIDE LOCK YOKE ASSEMBLY
3	59814	CROSS KIT
4	59815	CENTER HOUSING
5	59816	YOKE & SHAFT
6	16SV383	GUARD REPAIR KIT
7	YNNY10005	HEX NUT, NYLON LOCKNUT, 5/16-18
8	YBHH10025	BOLT, 5/16 X 1-1/2 GR 2
9	59828	OUTER GUARD
10	59818	INNER GUARD
11	16SV288	BALL SHEAR ASSEMBLY
12	59819	YOKE, TUBE & SLIP SLEEVE
13	16SV179	35R CROSS & BEARING KIT
*	59830	JOINT & SHAFT HALF ASSM. W/ GUARD
*	59831	JOINT & SHAFT HALF ASSM.
*	59839	JOINT & TUBE HALF ASSM. W/ GUARD
*	59840	JOINT & TUBE HALF ASSM. COMPLETE
*	57755	PTO
*	S402	PTO SAFETY MANUAL

**NOTE: \* MEANS NOT SHOWN**





**H&S MFG. CO.**

products approved

for the

**FEMA**

**SEAL OF QUALITY**

